

Radiation Profile

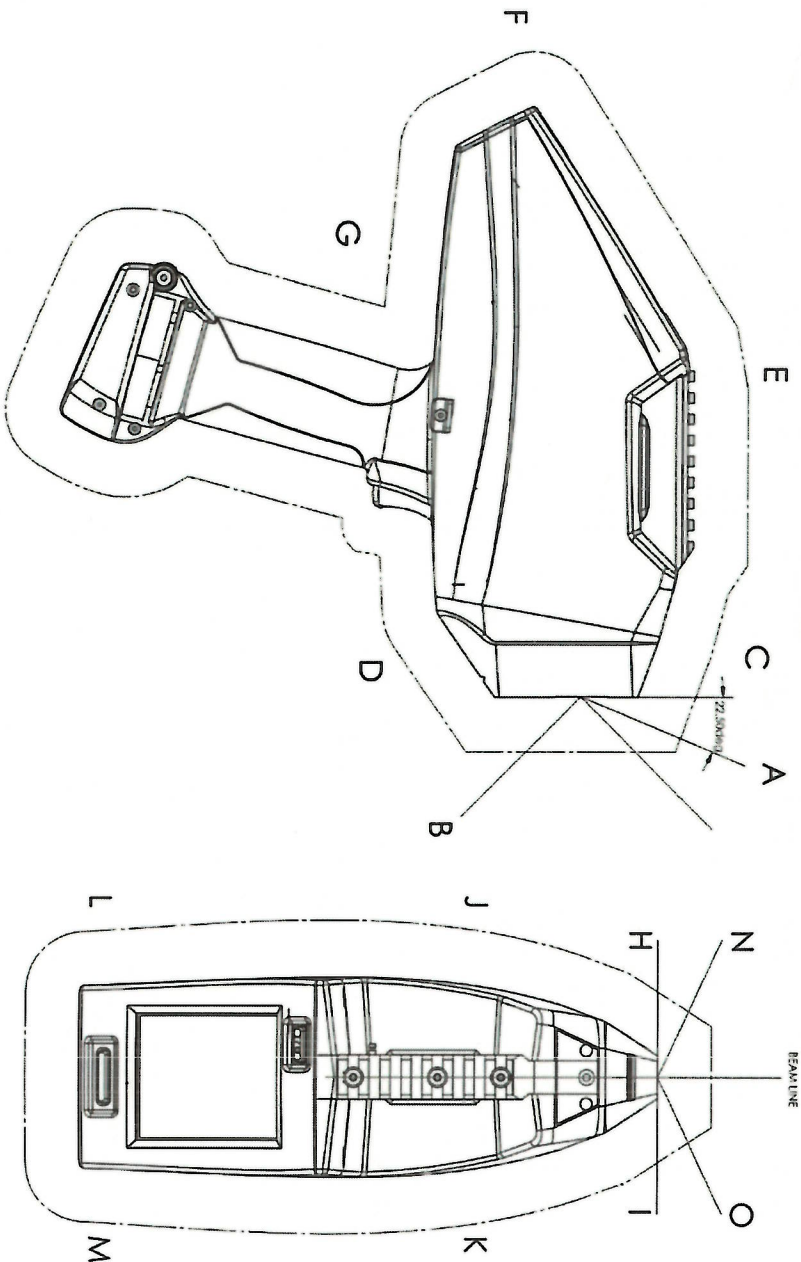


Thermo Micro-rem LE SN: E01-6A x SN: 1382 RadEye B20-ER SN: 03372	Cal Due Date 6-15-2021
---	---------------------------

50kV with sample			
A	7	H	50
B	10	I	25
C	8	J	15
D	7	K	10
E	7	L	9
F	7	M	7
G	9	N	5
		O	6

Notes

- All measurements are in $\mu\text{rem/hr}$ and taken with a Duplex 2205 sample over the examination window
- 100 $\mu\text{rem/hr}$ = 0.1 mrem/hr
- All measurements must be <85 $\mu\text{rem/hr}$ @10 cm
- Profile at the factory is performed at 10cm (IEC 61010-1 limit = 1 $\mu\text{Sv/hr}$ @ 10cm = 100 $\mu\text{rem/hr}$)



Model **Tracer G**

Serial Number **900G7838**

Maximum Power **50kV / 39uA**
(kV/ μA)

Technician **Eileen Chamberlain**

Date **07/16/2020**

Signature *Eileen Chamberlain*