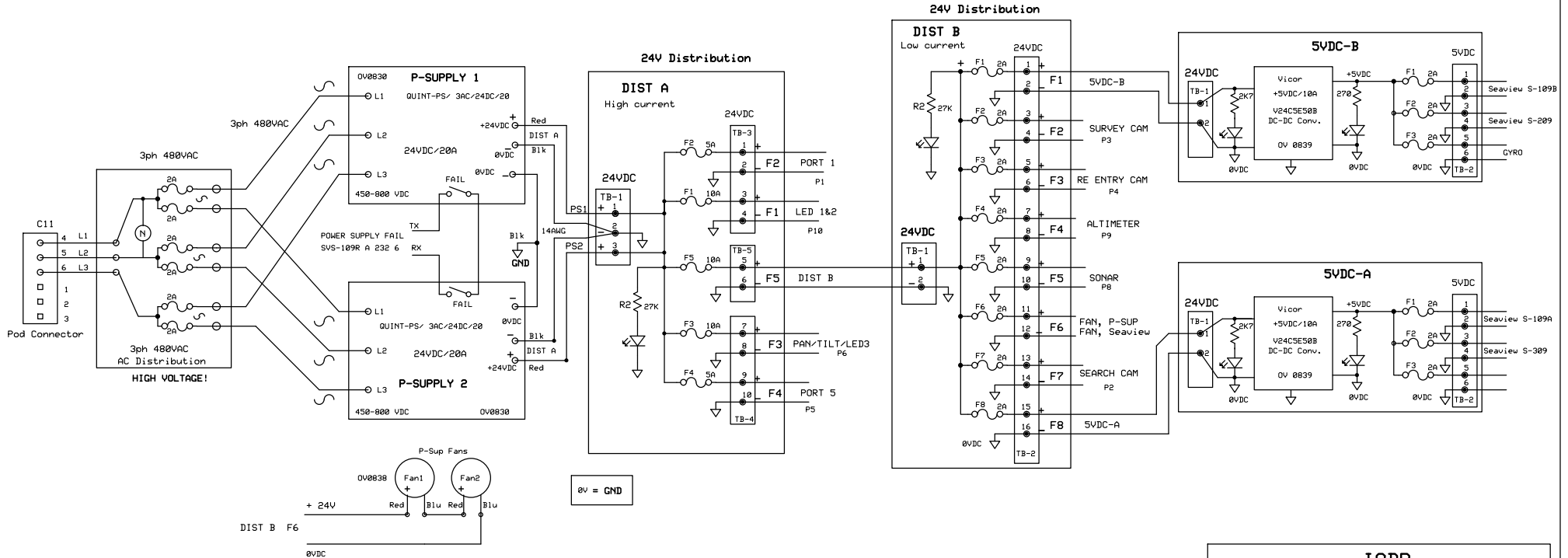
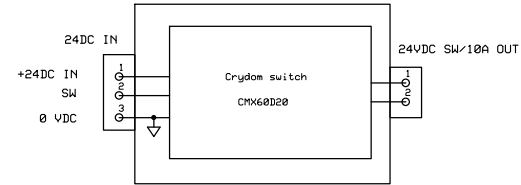


AS BUILT



IODP		
POWER SUPPLY SCHEM , POD		
Meiring	032020	Page 13