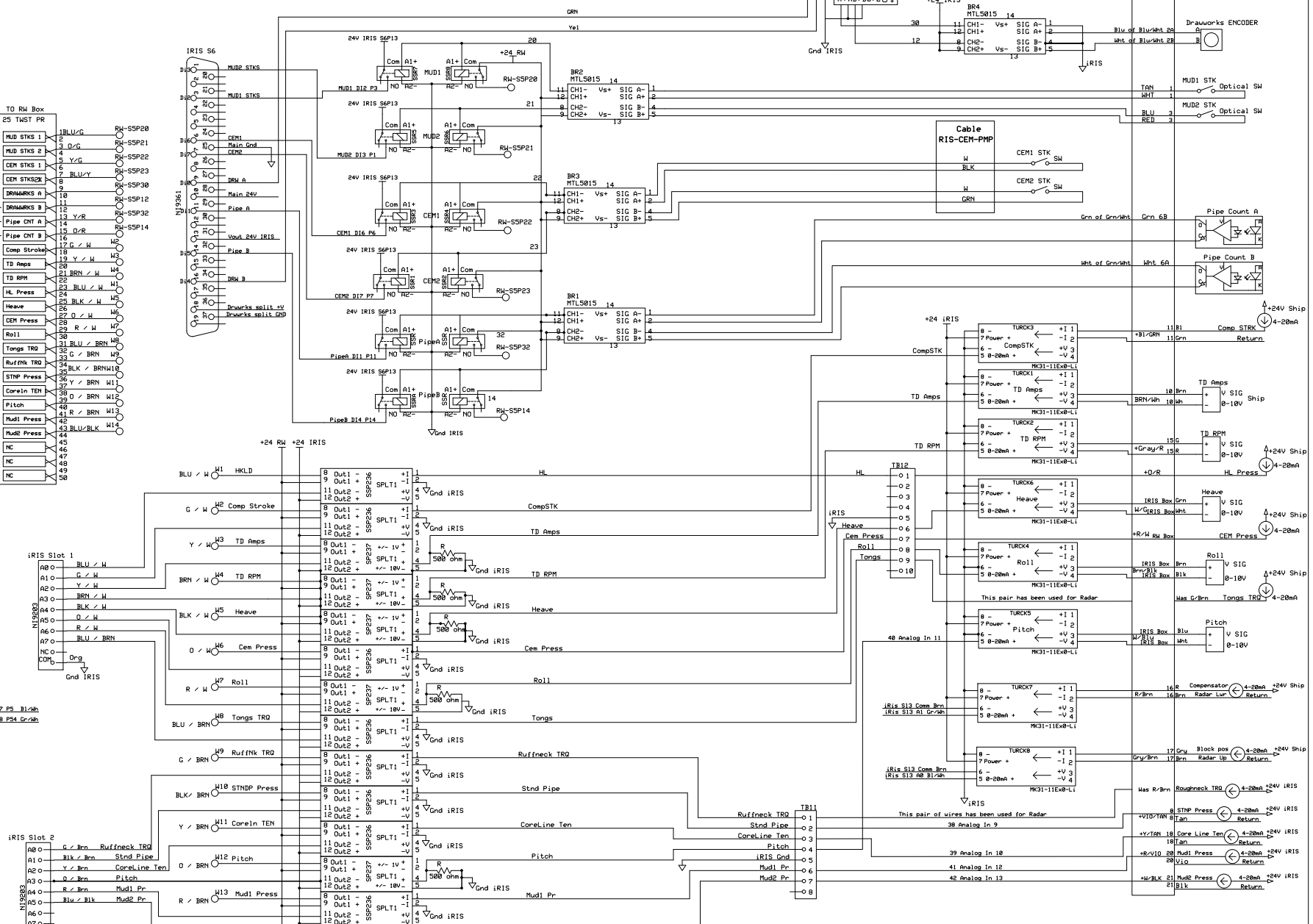
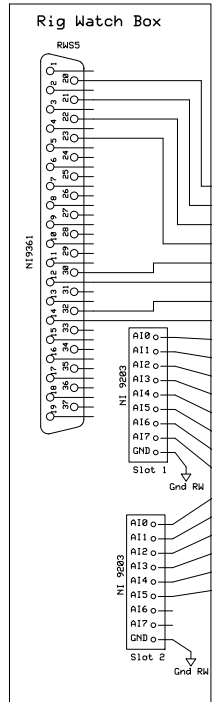


1. Swapped TD amps W/Brun to Brn/W. Sees the Pos & Neg voltage are wrong from SIEM side
2. Re-numbered the TURCKs from 1-4



<b>IODP</b>		
<b>RIS Schematic</b>		
Dean Ferrell	Rev. 3.8	Rev. IODP ET
	09/04/2023	