
AccuPyc 1330TC

Operator's Manual
V3.03

Part No. 133-42810-01
January 2005

AccuPyc is a trademark of Micromeritics Instrument Corporation.

©Micromeritics Instrument Corporation 2005. All rights reserved.

The software described in this manual is furnished under a license agreement and may be used or copied only in accordance with the terms of the agreement.

WARRANTY

MICROMERITICS INSTRUMENT CORPORATION warrants for one year from the date of shipment each instrument manufactured by it to be free from defects in material and workmanship impairing its usefulness under normal use and service conditions except as noted herein.

Our liability under this warranty is limited to repair, servicing and adjustment, free of charge at our plant, of any instrument or defective parts, when returned prepaid to us, and which our examination discloses to have been defective. The purchaser is responsible for all transportation charges involving the shipment of materials for warranty repairs. Failure of any instrument or product due to operator error, improper installation, unauthorized repair or alteration, failure of utilities, or environmental contamination will not constitute a warranty claim. The materials of construction used in MICROMERITICS instruments and other products were chosen after extensive testing and experience for their reliability and durability. However, these materials cannot be totally guaranteed against wear and/or decomposition by chemical action (corrosion) as a result of normal use.

Repair parts are warranted to be free from defects in material and workmanship for 90 days from the date of shipment.

No instrument or product shall be returned to MICROMERITICS prior to notification of alleged defect and authorization to return the instrument or product. All repairs or replacements are made subject to factory inspection of returned parts.

MICROMERITICS shall be released from all obligations under its warranty in the event repairs or modifications are made by persons other than its own authorized service personnel unless such work is authorized in writing by MICROMERITICS.

The obligations of this warranty will be limited under the following conditions:

1. Certain products sold by MICROMERITICS are the products of reputable manufacturers, sold under their respective brand names or trade names. We, therefore, make no express or implied warranty as to such products. We shall use our best efforts to obtain from the manufacturer, in accordance with his customary practice, the repair or replacement of such of his products that may prove defective in workmanship or materials. Service charges made by such manufacturer are the responsibility of the ultimate purchaser. This states our entire liability in respect to such products, except as an authorized person of MICROMERITICS may otherwise agree to in writing.
2. If an instrument or product is found defective during the warranty period, replacement parts may, at the discretion of MICROMERITICS, be sent to be installed by the purchaser, e.g., printed circuit boards, check valves, seals, etc.
3. Expendable items, e.g., sample tubes, detector source lamps, indicator lamps, fuses, valve plugs (rotor) and stems, seals and O-rings, ferrules, etc., are excluded from this warranty except for manufacturing defects. Such items which perform satisfactorily during the first 45 days after the date of shipment are assumed to be free of manufacturing defects.

Purchaser agrees to hold MICROMERITICS harmless from any patent infringement action brought against MICROMERITICS if, at the request of the purchaser, MICROMERITICS modifies a standard product or manufactures a special product to the purchaser's specifications.

MICROMERITICS shall not be liable for consequential or other type damages resulting from the use of any of its products other than the liability stated above. This warranty is in lieu of all other warranties, express or implied, including, but not limited to the implied warranties of merchantability or fitness for use.

One Micromeritics Drive • Norcross, GA 30093-1877 • Fax: (770) 662-3696

Domestic Sales — (770) 662-3633

Domestic Repair Service — (770) 662-3666

International Sales — (770) 662-3660

Customer Service — (770) 662-3636

TABLE OF CONTENTS

1. GENERAL DESCRIPTION

| | |
|--------------------------------------|-----|
| Organization of the Manual | 1-1 |
| Conventions | 1-1 |
| Equipment Description | 1-2 |
| Pycnometer Keypad | 1-4 |
| Specifications | 1-7 |

2. INSTALLATION

| | |
|---|------|
| Unpacking and Inspection | 2-1 |
| Lifting the Accupyc 1330TC | 2-1 |
| Unpacking the Cartons | 2-1 |
| Equipment Damage or Loss During Shipment | 2-1 |
| Equipment Return | 2-2 |
| Equipment Setup | 2-3 |
| Selecting the Location | 2-3 |
| Gas Requirements | 2-3 |
| Installing the Power Cord | 2-3 |
| Rear Panel Connections | 2-4 |
| Turning On the Pycnometer | 2-7 |
| Entering Report and Analysis Parameters | 2-8 |
| Selecting Units of Pressure Measurement and Operating Language | 2-9 |
| Greasing the Chamber Cap O-Ring | 2-10 |
| Verifying Operation | 2-11 |

3. PERFORMING AN ANALYSIS

| | |
|--|-----|
| Setting Regulator Pressure | 3-1 |
| Preparing and Loading a Sample | 3-2 |
| Starting an Analysis | 3-4 |
| Preparing the Bath Circulator | 3-4 |
| Using the Default Parameters | 3-4 |
| Using Modified Analysis Parameters | 3-4 |
| Viewing or Printing Analysis Results | 3-5 |

4. GENERAL OPERATING INSTRUCTIONS

| | |
|---|------------|
| Monitoring the System | 4-1 |
| Status Messages Displayed During an Automatic Operation | 4-1 |
| Error and Report Messages | 4-3 |
| Canceling an Automatic Operation | 4-4 |

| | |
|--|------|
| Entering Commands | 4-5 |
| Performing an Analysis | 4-6 |
| Reviewing and Editing Data | 4-7 |
| Reviewing and Editing Analysis Results and Parameters | 4-7 |
| Reviewing and Editing Calibration Results and Parameters | 4-9 |
| Printing Reports | 4-10 |
| Transmitting Reports | 4-14 |
| Calibrating the Pycnometer | 4-15 |
| Zeroing the Pressure Transducer | 4-16 |
| Manually Controlling the Valves | 4-17 |
| Editing the Setup Parameters | 4-18 |
| Analysis or Calibration Parameters | 4-19 |
| Report Options | 4-22 |
| Calibration Data | 4-24 |
| Data Transmission | 4-26 |
| Unit Types, Operating Language, Date, and Time | 4-27 |

5. TROUBLESHOOTING AND MAINTENANCE

| | |
|--|------|
| Troubleshooting | 5-1 |
| Error and Status Messages | 5-5 |
| Queued Messages | 5-5 |
| Messages Displayed During an Automatic Operation | 5-12 |
| Maintenance | 5-14 |
| Greasing the Chamber Cap O-Ring | 5-14 |
| Replacing the Chamber Cap O-Ring | 5-15 |
| Checking the Cell and Expansion Chambers for Leaks | 5-16 |
| Replacing the Gas Inlet Filters | 5-18 |
| Cleaning the Pycnometer | 5-21 |
| Recovering from a Power Failure | 5-21 |

6. ORDERING INFORMATION

APPENDICES

| |
|--|
| Appendix A: Changing The Analysis Module |
| Appendix B: Analysis Theory |
| Appendix C: Calibration Theory |
| Appendix D: Format of Transmitted Data |
| Appendix E: Printer Character Set |

INDEX

CHAPTER 1

GENERAL INFORMATION

- Organization of the Manual
- Conventions
- Equipment Description

GENERAL DESCRIPTION

Organization of the Manual

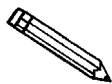
This manual describes how to install, operate, and maintain the AccuPyc 1330 Pycnometer. The manual is divided into six chapters.

| | |
|------------------|---|
| Chapter 1 | Provides a general description and specifications of the pycnometer. |
| Chapter 2 | Provides unpacking and inspection information, and installation instructions. |
| Chapter 3 | Provides instructions for performing an analysis. |
| Chapter 4 | Provides detailed operating instructions. |
| Chapter 5 | Provides troubleshooting and maintenance procedures and error messages. |
| Chapter 6 | Provides information on ordering parts and accessories for the pycnometer. |

Several appendices are also included.

Conventions

This manual uses the icons shown below to identify notes of importance, cautions, and warnings.



Notes contain important information pertinent to the subject matter.



Cautions contain information to help you prevent actions which could damage the instrument.



Warnings contain information to help you prevent actions which could cause personal injury.

Equipment Description

The AccuPyc 1330TC Pycnometer is an easy-to-use, fully-automatic gas displacement pycnometer. An analysis is initiated with a few keystrokes; data are collected, calculations performed, and results displayed without further operator intervention. The pycnometer may be operated in five languages: English, French, German, Italian, or Spanish.

The AccuPyc's unique run precision feature increases the precision of analysis results by reporting data from five consecutive runs that are within a user-specified tolerance. This feature allows early termination of analyses, thereby decreasing the number of runs needed for accurate results.

The AccuPyc 1330TC provides connections on the rear panel for installing a constant temperature circulator (provided by the user). This allows for circulation of a temperature-controlled liquid around the sample chamber, maintaining a constant temperature during analysis. This feature is of special interest when evaluating materials that show a significant variation of density with temperature.

The AccuPyc, shown in the following illustration, contains a keypad, a display area, and an analysis chamber (referred to as the cell chamber). The pycnometer is controlled by commands entered through the keypad. The operational status of the pycnometer can be continually monitored on the display. Complete analysis and calibration results can be printed to an installed printer (optional). A serial port is provided for electronic data transmission.

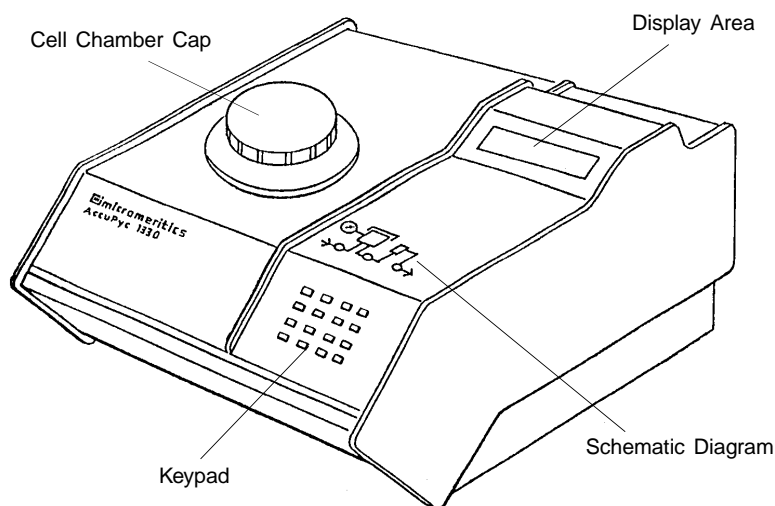


Figure 1-1. AccuPyc 1330TC Pycnometer

The AccuPyc 1330TC Pycnometer determines density and volume by measuring the pressure change of helium in a calibrated volume. It also reports the chamber temperature at the end of the requested runs. The schematic diagram indicates system status. The three indicators show the current state of the fill, expansion, and vent valves. The indicator is illuminated when a valve is open.

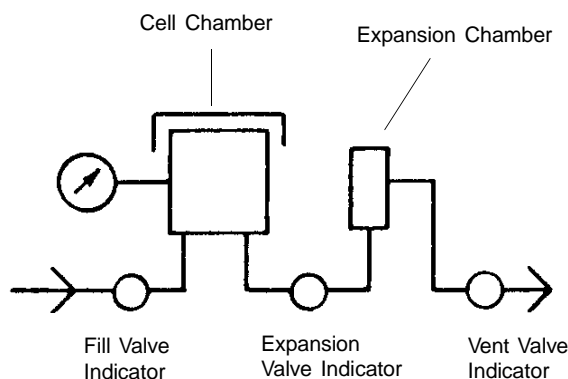


Figure 1-2. Schematic Diagram

Analysis measures sample volume, from which density can be derived automatically if sample weight has been entered. The unit is preprogrammed with default conditions and ready to perform analyses. It can be easily reprogrammed to meet your specific needs. You can modify your own analyses by entering: number of purges, purge fill pressure, number of runs, run fill pressure, equilibration rate, and run precision. The run precision option allows early termination of the analysis if the last five runs are all within a user-specified tolerance. By modifying these parameters, you retain control over the two main sections of the analysis: purge and run.

A purge is used strictly for sample clean-up and air and moisture removal from inside the chamber. It is accomplished by closing off the pycnometer block and filling the cell chamber to the designated purge fill pressure. The chambers are then vented to atmosphere, resulting in elimination of water vapor or other contaminants. A run is used for collecting the precise, accurate data used in report calculations.

In addition to analysis, there are two other automatic operations performed by the pycnometer: calibration and transducer zero reset.

Calibration is used to determine the size of the cell and expansion chambers within the instrument. After calibration, the cell and expansion chamber volumes are stored automatically in the set-up parameters.

The zero function is used to calculate a new zero pressure offset. It is measured when the system is at atmospheric pressure and thermal equilibrium, and is subtracted from all subsequent pressure readings to obtain a true gauge pressure.

Pycnometer Keypad

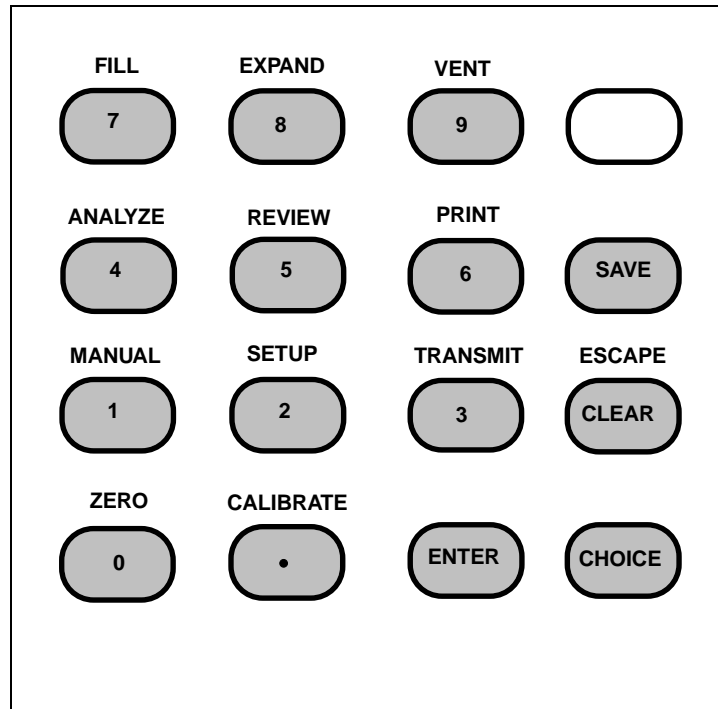
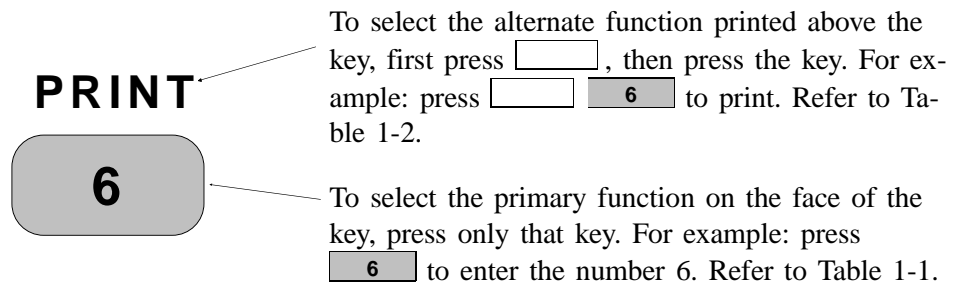


Figure 1-3. Pycnometer Keypad

Most keys on the keypad perform one primary and one alternate function. The primary function of any key is indicated by the number or command on the face of the key. The alternate function is indicated by the command above the key.



Tables 1-1 and 1-2 describe how the keys are used to control and monitor the pycnometer.

Table 1-1. Standard Keys




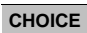


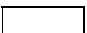
| Key | Used To |
|--|---|
|  | Enter the numbers 0 through 9. |
|  | Enter a decimal point, a dash for sample ID, a slash for date, or a colon for time. |
|  | Complete an entry or begin an action. |
|  | Display the next message when in display mode. Display the next multiple choice item when in a command mode. |
|  | Clear a message when in display mode. Clear an entry when in a command mode. |
|  | Save the information you entered and return to display mode. |
|  (Blank) | <p>Change the keypad mode. The keypad may be used in either primary function mode or alternate function mode.</p> <p>When you press the Blank key to enter alternate function mode, a plus sign (+) appears in the upper right corner of the display and the commands written above the keys become available.</p> <p>To exit alternate function mode, press the Blank key again. The plus sign (+) will be removed from the display.</p> |

Table 1-2. Key Combinations

| Function | Keys | Used To |
|-----------|-----------------------------------|---|
| ZERO | <input type="text"/> 0 | Zero the pressure transducer. |
| CALIBRATE | <input type="text"/> • | Calibrate the pycnometer. |
| MANUAL | <input type="text"/> 1 | Manually control the valves. After pressing the Manual key, you may use the FILL, EXPAND, and VENT commands to open and close the valves. |
| SET UP | <input type="text"/> 2 | Display or edit analysis parameters, report options, calibration data, data transmission parameters, unit types, operating language, and date and time. |
| TRANSMIT | <input type="text"/> 3 | Transmit analysis or calibration data over the serial line. If an automatic operation is in progress, transmit a partial report. |
| ESCAPE | <input type="text"/> CLEAR | Delete all data entered in the current mode and return to display mode. If an automatic operation is in progress, cancel the operation. |
| ANALYZE | <input type="text"/> 4 | Perform an analysis. |
| REVIEW | <input type="text"/> 5 | Review or edit completed analysis or calibration data. |
| PRINT | <input type="text"/> 6 | Print analysis or calibration report. If an automatic operation is in progress, print a partial report. |
| FILL | 7 (when in manual mode) | Open and close the fill valve. The indicator above the FILL key is on when the valve is open and off when the valve is closed. |
| EXPAND | 8 (when in manual mode) | Open and close the expansion valve. The indicator above the EXPAND key is on when the valve is open and off when the valve is closed. |
| VENT | 9 (when in manual mode) | Open and close the vent valve. The indicator above the VENT key is on when the valve is open and off when the valve is closed. |

Specifications

Table 1-3. AccuPyc 1330TC Pycnometer Specifications

| Characteristic | Specification |
|---|---|
| Temperature | Temperature stability is dependent upon specifications of the installed circulator. Recommended range of 15 to 50 °C (59 to 122 °F). |
| Humidity | 20 to 80% relative, non-condensing |
| Voltage | 90 to 264 VAC |
| Power | 30 VA |
| Frequency | 50/60 Hz |
| Sample Volume | 0.5 - 100 cm ³ |
| Standard Sample Holder | 19 mm OD x 39.8 mm long x 0.254 mm wall (0.750 in. OD x 1.570 in. long ± 0.005 in. x 0.010 in. wall) for standard (10 cm ³) holder. |
| Optional Sample Modules | Provide ranges of 1 to 100 cm ³ |
| Precision | Reproducibility typically to within ± 0.01% of the nominal full-scale cell chamber volume.* Reproducibility guaranteed to within ± 0.02% of the nominal full-scale volume on clean, dry, thermally equilibrated samples. |
| Accuracy | Accurate to within 0.03% of reading plus 0.03% of nominal full-scale cell chamber volume.* |
| Cabinet | 311 mm W x 173 mm H x 357 mm D (12 in. W x 7 in. H x 14 in. D) |
| Gases | Research grade helium is recommended. If unavailable, use helium with a dewpoint of -67 °C (-88 °F) or lower. |
| *Nominal full-scale cell chamber volume is the sample capacity. | |

CHAPTER 2

INSTALLATION

- Unpacking and Inspection
- Selecting the Location
- Gas Requirements
- Equipment Setup
- Verifying Operation

INSTALLATION

This chapter describes how to unpack, inspect, and install the AccuPyc 1330TC Pycnometer.

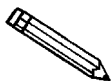
Unpacking and Inspection

Lifting the Accupyc 1330TC

The Accupyc 1330TC can be lifted by one person using two hands placed on opposite sides of the instrument. As always, proper lifting techniques should be used to prevent injury.

Unpacking the Cartons

When you receive the shipping cartons, carefully compare the Packing List with the equipment actually received and check the equipment for any damage during shipment. Be sure to sift through all packing materials before declaring equipment missing.



If you need to declare equipment as damaged or lost, save the shipping cartons. The claims investigator must examine the cartons in order to complete the inspection report.

Equipment Damage or Loss During Shipment

If equipment is damaged or lost in transit, you are required to make note of the damage or loss on the freight bill. The freight carrier, not Micromeritics, is responsible for all damage or loss occurring during shipment. If you discover damage or loss of equipment during shipment, report the condition to the carrier immediately.

Equipment Return

Micromeritics strives to ensure that all items arrive safely and in working order. Occasionally, due to circumstances beyond our control, a customer may receive equipment which is not in working order. When equipment has been damaged (either during shipment or in use) and you wish to return the equipment to Micromeritics for repair or replacement, please follow the steps below:

1. Tag or otherwise identify the defective equipment, noting the defect and, if possible, the circumstances under which the defect occurs.
2. Make reference to the sales order or purchase order for the equipment, and provide the date the equipment was received.
3. Notify a Micromeritics Service Representative of the defect and request shipping instructions. The Service Department will assign a Return Material Authorization (RMA) number to your return and provide shipping information.

Equipment Setup

The pycnometer should be checked to make sure it is operating properly before actual analyses are attempted. The remainder of this chapter describes how to install the pycnometer and verify operation.

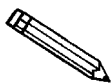
Selecting the Location

When selecting the location of the pycnometer, keep the following in mind:

- The pycnometer performs best in a constant temperature environment.
- It should be installed on a workbench about 36 in. high in a location free of drafts from either a forced-air heating or cooling system.
- The slots in the baseplate, which provide ventilation, should not be blocked.
- The pycnometer should not be placed near a window; exposure to sunlight may cause the temperature to vary.

Gas Requirements

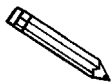
The pycnometer uses helium (99.995% pure or better) to provide rapid, accurate analyses. The cylinder containing helium must be fitted with a gas regulator and the regulator set for 15 to 23 psig (we recommend 20-22 psig). In no instance should the pressure input to the pycnometer be greater than 23 psig. Excessive pressures waste gas due to a protection device contained in the pycnometer that vents the pycnometer to atmospheric pressure if pressure exceeds 25 psig.



Minimum recommended helium tank pressure is 200 psig.

Installing the Power Cord

Locate the female end of the power cord and insert it into the power entrance on the rear panel of the instrument.



The power cord supplied with your instrument is a shielded cord (as are the optional RS-232 and printer cords). If you alter or replace any of these cords with non-shielded cords, your instrument may no longer conform to the European Union Council Directives (CE Mark).

Rear Panel Connections

1. Attach an appropriate regulator to the gas supply cylinder.
 - a. Ensure that the gas cylinder shut-off valves are closed.

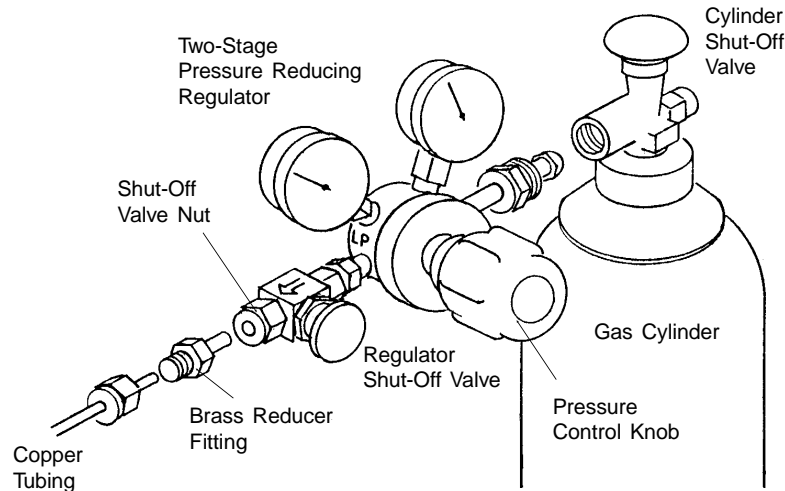


Figure 2-7. Connecting Gas Supply Cylinder to the Regulator

- b. Attach the supplied brass reducer fitting to the outlet of the regulator shut-off valve.
- c. Turn the shut-off valve nut clockwise until it is finger tight. Then use a 9/16-in. open-ended wrench (or an adjustable wrench) to tighten the nut an additional 1/4 turn.



Do not overtighten the fittings. Doing so can collapse the brass fitting and cause a leak.

- d. Attach the copper tubing to the brass reducer fitting.
- e. Turn the nut on the tubing clockwise until it is finger-tight. Then use a 7/16-in. open-ended wrench (or an adjustable wrench) to tighten the nut an additional 1/4 turn.
- f. Attach the other end of the copper tubing to the fitting on the INLET connector on the back of the pycnometer.

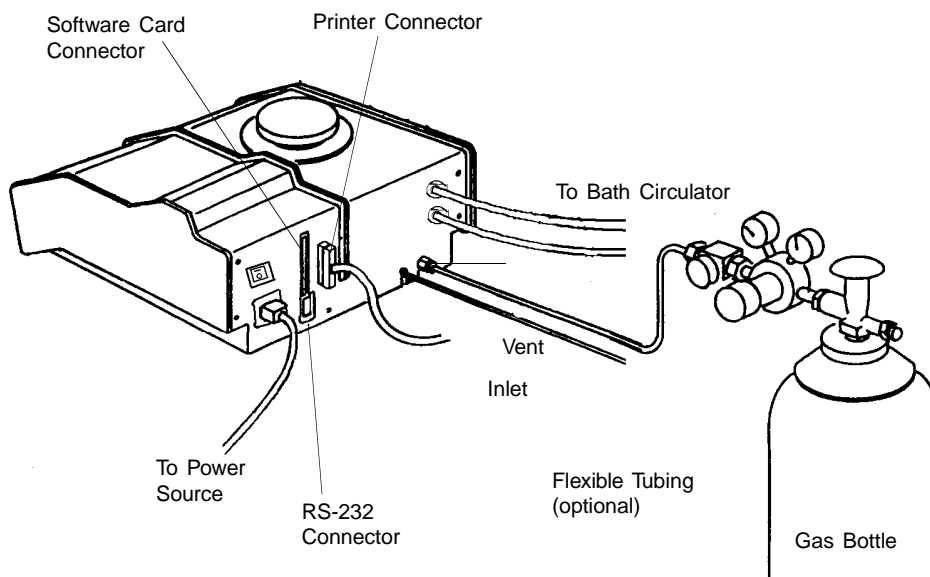
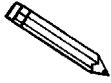


Figure 2-8. Rear Panel Connections

- g. Turn the nut on the tubing clockwise until it is finger-tight. Then use a 7/16-in. open-ended wrench (or an adjustable wrench) to tighten the nut an additional 1/4 turn.
2. If you are using a gas other than helium, a port is provided for venting purposes. Connect one end of 1/8-in. ID flexible tubing to the rigid tubing in the venting port and the other end to a venting system.
3. If a serial line is to be used for data transmission, connect one end of the RS-232 cable to the connector labeled RS-232 on the back of the pycnometer. Connect the other end to an available COM port on your computer.
4. Connect the bath circulator:
 - a. Remove the plugs from the connections labeled **OUT** and **IN**. Press the metal tab on the right side of the connector if the plug does not come out easily.
 - b. Insert a hose fitting (provided in the accessory kit) into each connector.
 - c. Cut the piece of 4-ft. tubing (included in the accessory kit) into two pieces. Install the two pieces on the **OUT** and **IN** connectors.
 - d. Install the other end of the tubing on the **OUT** connector onto the *inlet* connection of the bath circulator.
 - e. Install the other end of the tubing on the **IN** connector onto the *outlet* connection of the bath circulator.

5. Connect one end of the printer cable to the connector labeled with a printer icon on the back of the pycnometer. Connect the other end to the input connector on the printer.



Refer to *Appendix E: Printer Character Set* for the print characters supported by the software.



Before inserting the software card, make sure the instrument is turned OFF (O). Do NOT install or remove the software card while the power is turned ON.

6. Hold the AccuPyc 1330TC Software Card with the *label facing toward the gas connection*. Insert the card (notched end first) into the connector on the rear panel of the pycnometer and press firmly to lock into place.



The software card must be properly inserted in the pycnometer connector during operation. It is best to keep it installed at all times, even when power to the unit is turned off.

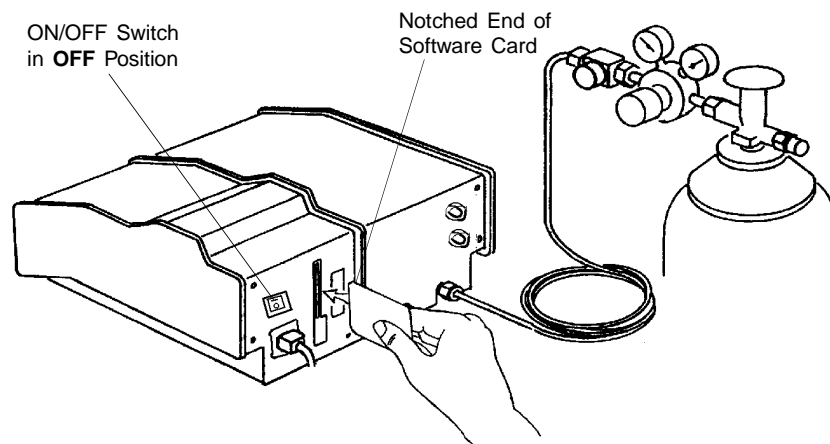
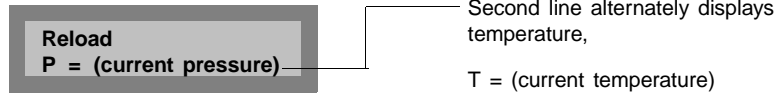


Figure 2-9. Inserting Software Card

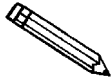
7. Plug in the printer power cord and the pycnometer power cord.

Turning On the Pycnometer

To turn on the pycnometer, place the power ON/OFF switch on the rear panel in the ON (|) position. The system is automatically vented and the following prompt is displayed:



Reload is displayed on the first line, indicating that the system is idle. The current pressure and current temperature are shown alternately on the second line. There may be messages containing the results of a previous analysis or the status of the pycnometer. If there are any error messages, an asterisk appears in the right corner of the first line. When this occurs, press **CHOICE** to display the first message. Continue pressing **CHOICE** to cycle through all messages and return to the **Reload** prompt.



When the system is turned on the first time or after a period of non-use, it should be allowed to warm up for at least 30 minutes before analyses are performed. For analyses that require very precise results, it should warm up for two hours.



It is important that a constant temperature be maintained inside the unit because a change in temperature could alter analysis results. We recommend that the pycnometer remain turned on at all times to maintain thermal stability. Power consumption is small and the cost of electricity will be minimal.

Entering Report and Analysis Parameters

The pycnometer is shipped with the following default values for analysis parameters:

| | |
|---------------------|----------------|
| Number of purges | 3 |
| Purge fill pressure | 19.5 psig |
| Number of runs | 3 |
| Run fill pressure | 19.5 psig |
| Equilibration rate | 0.005 psig/min |
| Run precision | No |
| Percent full scale | 0.05 |

If you wish to use these values, no further action is necessary. If you wish to change the values, refer to **Analysis or Calibration Parameters** in Chapter 4.

The pycnometer is shipped with the following default values for report options:

| | |
|-----------------------|---------------|
| Request sample ID | no |
| Analysis display mode | volume |
| Report destination | display |
| Transmission format | Single column |

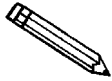
If you wish to use these values, no further action is necessary. If you wish to change the values, refer to **Report Options** in Chapter 4.

Selecting Units of Pressure Measurement and Operating Language

The units of measurement for pressure may be displayed in pounds-per-square-inch gauge (psig) or kilopascal gauge (kPag). In this manual, psig is used in the examples shown. The pycnometer may be operated in any of five languages: English, French, German, Italian, or Spanish. The default for units is **psig** and the default language is **English**. If you wish to use these defaults, no further action is necessary; proceed to **Greasing the Chamber Cap O-Ring**.

If you wish to change the defaults:

1. Press , then press until **Unit types** is displayed. Press .
2. Press then to change the value to kPag.
3. The **Language** prompt is displayed. Press until the desired language is displayed, then press .



If there are error messages in the message queue (indicated by an asterisk next to the Reload prompt), delete the messages before changing languages. Refer to *Error, Report, and System Status Messages*, Chapter 4. Make sure you press after changing languages.

4. Place the appropriate template (included in the accessory kit) over the pycnometer keypad.

Greasing the Chamber Cap O-Ring

A greasing disk is included in the accessory kit shipped with the pycnometer. Use the disk to grease the O-ring as described below.



Rubber gloves should be worn to prevent contaminating the grease with oil from your fingertips. Carefully apply a thin layer of grease; both too much and too little grease can cause problems. Too much grease may alter cell volume. Too little grease results in an imperfect seal and leaks.

1. Remove the chamber cap by turning it counterclockwise then lifting off.
2. Using your fingertip, apply a thin layer of Dow Corning high vacuum grease (or equivalent) to the greasing disk.
3. Insert the greasing disk into the chamber cap and turn slightly to apply a very light coating of grease to the O-ring.



Apply a VERY LIGHT coating of grease to the O-ring. There should be no visible ridges of grease; excess grease may alter analysis results.

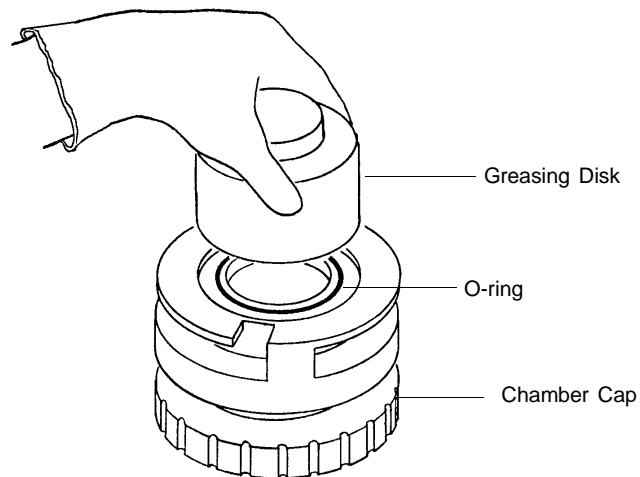


Figure 2-10. Greasing the O-Ring in Chamber Cap

4. Replace the chamber cap.

Verifying Operation

Before performing an analysis, verify that the pycnometer is operating properly by performing the following steps.

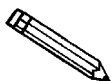


Numbers are displayed on the pycnometer as shown in the following example:

10000.00

Note that a period is used to denote a decimal fraction.

1. Press **0** to zero the transducer.
2. Once the zeroing process is complete (the pressure display shows approximately zero), press **1** on the keypad to enter manual mode.
3. Use the **FILL**, **EXPAND**, and **VENT** keys to close all valves. A valve opens and closes when you press the appropriate key. The valve is open when the indicator above the key is on and closed when the indicator is off.
4. Open the fill valve. Wait until the pressure reaches 15 to 19 psig.



Do not exceed 19.9 psig. If the pressure exceeds 20 psig the transducer may overrange and an error message will be displayed. If this occurs, open the expansion and vent valves and allow the transducer to drift back down, then start the procedure over.

5. Close the fill valve.
6. Observe the pressure display. After an equilibration period, the pressure should not vary more than 0.005 psig/min.
7. Open the expansion valve.
8. Observe the pressure display. After equilibration, the pressure should not vary more than 0.005 psig/min. Open the vent valve. After a period of time, the pressure should again stabilize.

If the pycnometer responds as described above, it is ready to operate. If it does not, check installation procedures, then repeat the verification procedures. If it still does not respond as described above, service to the system or operational assistance may be required. Contact a Micromeritics Service Representative.

CHAPTER 3

PERFORMING AN ANALYSIS

- Setting Regulator Pressure
- Preparing and Loading a Sample
- Starting the Analysis
- Viewing or Printing Analysis Results

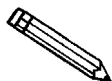
PERFORMING AN ANALYSIS

This chapter briefly describes how to perform an analysis. Chapter 4 describes in detail how to use all the functions of the AccuPyc 1330TC Pycnometer.



The cell chamber and cap must be kept clean at all times. Particles on the cap seating surface, in the sample cup, under the sample, or clinging to the sample chamber wall may cause inaccurate results. Inspect the cell and cap before each use. Use a lint-free cloth to remove any dust or particles.

Setting Regulator Pressure



Before setting regulator pressure, make sure the *tank* pressure for the gas regulator is at least 200 psig. Pressures less than 200 psig may cause the sample to be inadequately saturated, resulting in inaccurate data or termination of analysis.

Before beginning an analysis, check the regulator pressure. Fill pressure is user-specified for purge and run using the AccuPyc 1330TC **Set Up** function (refer to **Analysis or Calibration Parameters** in Chapter 4). Set the regulator pressure at the higher of the two (plus about 2.0 psig) as follows:

1. Press **1** to enter manual mode.
2. Press **8** (EXPAND) and **9** (VENT) to open the expansion and vent valves. When the valves are open, the indicators above the keys are turned on.
3. Press **7** (FILL) to open the fill valve.
4. Set the regulator pressure control knob on the cylinder to the desired pressure and then increase it about 2.0 psig.
5. Press **7** (FILL) to close the fill valve.
6. Press **SAVE** to return to display mode.

Preparing and Loading a Sample

Preparing the sample is the first step in obtaining accurate results from the pycnometer. Samples must be free of moisture in order to obtain true sample weight and to avoid the distorting effect of water vapor on the volume measurement. The following procedures are recommended; however, modifications may be necessary for some materials. Heat-sensitive materials may have to be dried by long-time exposure to silica gel, freeze drying, etc. Materials having a low melting point may be dried using the purge process. In this case, do not weigh the sample and cup until after the purge and analysis have been completed.

The important point to keep in mind is that each step should be conducted to avoid exposure of the dried sample to atmospheric moisture. This means weighing as rapidly as possible and installing in the instrument without unnecessary delay.



Keep the cap on the cell chamber except when actually inserting or removing a sample. If the chamber remains uncapped, temperature instability will occur which could affect analysis results.

1. Weigh the empty sample cup. (If volume only is to be measured, you may skip this step).
2. Place a quantity of sample in the cup. Use as large a quantity of sample as possible; we recommend that the cup be at least two-thirds full. Pack powders and fluffy materials (if permissible) to obtain maximum sample weight in the cup.
3. Place the sample cup with sample in a drying oven. The amount of time the sample must be heated depends on the material and the temperature it will tolerate; this may have to be established by other tests.
4. Remove the sample cup from the oven and transfer it to a desiccator provided with active desiccant. Allow it to cool until near room temperature. In the steps which follow, minimize air exposure of the sample.
5. Weigh the cup and sample and record the weight. Subtract the empty sample cup weight from the sample cup plus sample weight to determine the sample weight. (If volume only is to be measured, you may skip this step.)

- Remove the cell chamber cap.



When you remove the chamber cap, place it on a clean, dry surface with the greased side down so that particles will not accumulate on the greased surface. If the cap is placed on a dirty surface, analysis errors may result.

- Insert the sample cup with sample into the cell chamber.

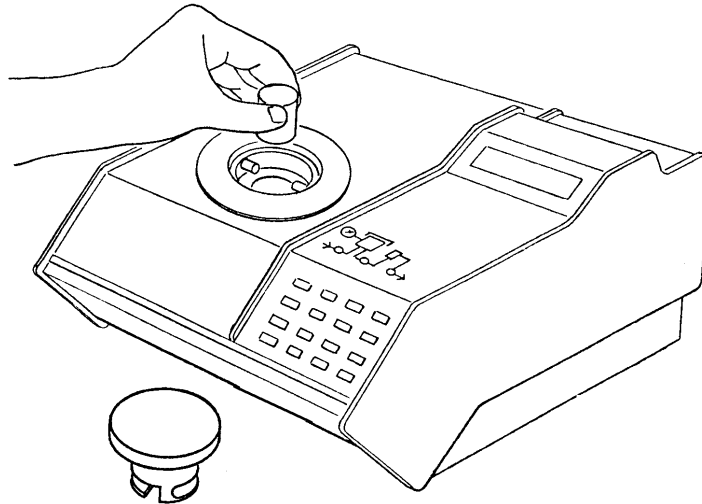


Figure 3-1. Inserting Sample Cup Into Cell Chamber

- Replace the cell chamber cap.

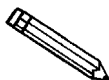


Do not remove the cell chamber cap when the pycnometer is pressurized. Sample may be discharged from the chamber.

Starting an Analysis

Preparing the Bath Circulator

Turn on the bath circulator and specify the temperature at which you wish to have the analysis performed. (Refer to the manufacturer's manual for instructions on operating the bath circulator.) Allow the temperature (and loaded sample) to stabilize before proceeding with analysis.



Check the temperature by accessing the *Reload* prompt where the temperature and pressure are displayed alternately.

Using the Default Parameters

To start an analysis using the analysis and report parameters shipped with the pycnometer:

1. Press **4** .
2. The following prompt is displayed:

**[Enter] to start
[Escape] to cancel**

Press **ENTER** to begin the analysis.

Using Modified Analysis Parameters

To start an analysis using analysis parameters that have been modified:

1. Press **4** .
2. The following prompt is displayed if Sample ID was enabled in the Report Options function.

Sample ID:

Using sample IDs can help you keep track of data from various analyses. You may, for example, use the sample ID as a date and time stamp. The sample ID can contain from 1 to 20 numbers and dashes.

Enter the sample ID and press **ENTER** .

3. The following prompt is displayed if density was selected for Analysis display mode in the Report Options function.

Sample Weight:

Enter the sample weight and press **ENTER**. The range of valid entries is 000.0000 to 999.9999 g.

4. The following prompt is displayed.

[Enter] to start

Press **ENTER** to begin the analysis.

Viewing or Printing Analysis Results

1. As the analysis is performed, operational status messages are displayed. (Refer to **Monitoring the System** in Chapter 4 for a description of the messages.)
2. When the analysis is complete, the pycnometer beeps three times. Remove the sample from the cell chamber. Press **CHOICE** to cycle through the error messages.
3. After the error messages are displayed, the average volume or density and the deviation from the mean are displayed. Press **ENTER**.
4. A report is printed automatically if report destination was set to *printer*. If not, you may print a report by pressing **6**. You may transmit a report by pressing **3**.
5. When the **Reload** prompt is displayed, you may begin another operation.

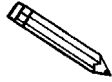
CHAPTER 4

GENERAL OPERATING INSTRUCTIONS

- Monitoring the System
- Canceling an Automatic Operation
- Entering Commands
- Printing Reports
- Transmitting Reports
- Calibrating the Pycnometer
- Zeroing the Pressure Transducer
- Manually Controlling the Valves
- Editing the Setup Parameters

GENERAL OPERATING INSTRUCTIONS

The pycnometer remains in the display mode until you enter a command by pressing the appropriate keys. This chapter describes how to read the display and enter commands.



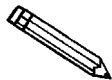
Keep the cap on the cell chamber except when actually inserting or removing a sample. If the chamber remains uncapped, temperature instability will occur which could affect analysis results.

Monitoring the System

Status Messages Displayed During an Automatic Operation

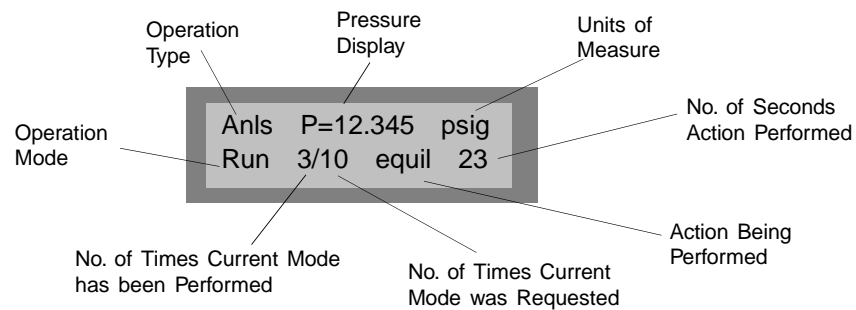
When an automatic operation is in progress, operational status messages are continually displayed. You may **not** enter commands, other than the following, until the operation is finished.

- Press **CLEAR** to cancel the automatic operation.
- Press **6** to print a partial report of analysis or calibration results.
- Press **3** to transmit a partial report of analysis or calibration results.



Analysis is suspended until printing or transmission is complete.

The following example shows a typical status message for an automatic operation. Refer to Table 4-1 for a detailed description.



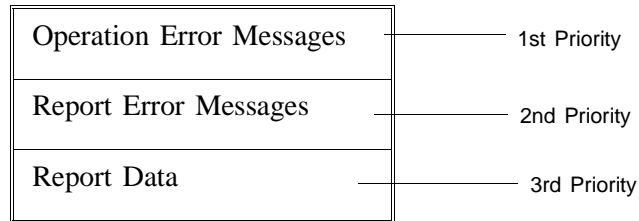
When the operation is finished, the pycnometer beeps three times.

Table 4-1. Automatic Operation Status Messages

| Item | Abbreviation Displayed | Description |
|-------------------------------|-------------------------------|--|
| Operation Type | Anls | Analysis |
| | Cal 1 | Calibration Pass 1, which is the first pass during calibration with the cell chamber empty. |
| | Cal 2 | Calibration Pass 2, which is the second pass during calibration with the calibration standard in the cell chamber. |
| | Zero | Zero offset |
| Pressure Display | P | Current pressure in system |
| | P1 | Pressure for data point P1* |
| | P2 | Pressure for data point P2* |
| Operation Mode | Purg | Purge in progress |
| | Zero | Transducer zero reset in progress |
| | Run | Run in progress |
| Action | fill | Filling the cell chamber or expansion chamber |
| | equil | Equilibrating |
| | wait | Wait the displayed number of seconds |
| *Refer to Appendices B and C. | | |

Error and Report Messages

Error and report messages generated during the operation are placed in a queue in chronological order, with error messages having the highest priority (refer to Figure 4-1). When the automatic operation is complete, the **Reload** prompt is displayed. Press **CHOICE** to display the first message and continue pressing **CHOICE** to cycle through the messages. Press **CLEAR** while a message is displayed to delete the message.



After the operation error messages, report error messages, then report data (average density or volume and deviation from the mean) are displayed. The messages remain in the message queue until you delete them or until another automatic operation is begun, at which time they are deleted automatically.

Canceling an Automatic Operation

You can cancel an automatic operation that is in progress by pressing **CLEAR**. The following message is displayed:

**Press ENTER to cancel
automatic operation**

Press **ENTER** within five seconds to cancel the operation.

When you cancel an operation, messages are displayed indicating that termination is in progress. The termination process, which vents the system, takes about 30 seconds. You may cancel the termination process, by pressing **CLEAR** again, but if you do, you must manually vent the system.

If no runs were completed and there are not enough data to compute, the following message is displayed:

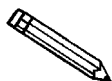
No data to compute

If there are enough data to compute and reports were requested, they are printed.

Entering Commands

The pycnometer remains in display mode until you enter a command by pressing the appropriate keys on the keypad. Commands start an analysis or other automatic operations and allow you to modify operating parameters. The commands available are:

- Perform an Analysis
- Review and Edit Analysis or Calibration Data
- Print or Transmit Reports
- Calibrate the Pycnometer
- Zero the Pressure Transducer
- Edit Set-Up Parameters
- Manually Control the Valves



You may not enter a command (other than Print or Transmit) while an automatic operation is in progress.

When you enter a command, most functions display a **prompt**. A prompt is a request for you to enter information and generally contains two lines. The first line contains a description of the requested information and the second line displays a default value (when applicable). To use the default value, just press the **ENTER** key. For example, when you press **2** the following prompt is displayed:

| | | |
|--|---|---|
| Setup type? Analysis parameters | <hr style="width: 50px; border: 0; border-top: 1px solid gray;"/> <hr style="width: 50px; border: 0; border-top: 1px solid gray;"/> | Description of Requested Information Default Value |
|--|---|---|

To select **Analysis parameters** (default value) press **ENTER** .

If you do not wish to use the default value, you can use the keypad to enter other responses. There are two types of prompts: data entry and multiple choice. Prompts that require you to enter data are followed by a colon (:). Use the keypad to enter the desired value, then press **ENTER** . If you enter an invalid value, a beep is sounded; try again.

Multiple choice prompts contain a fixed set of responses and are followed by a question mark (?). To select a multiple choice response, press **CHOICE** until the desired value is displayed, then press **ENTER** .

At any time while entering information you may:

- Press **SAVE** to save the information you entered and return to display mode.
- Press **CLEAR** to delete the information you entered and return to display mode.

Performing an Analysis

Press to perform an analysis.

Display

Sample ID:

Sample Weight:
1.0000g

[Enter] to start
[Escape] to cancel

Entry

Displayed only when **Sample ID** was enabled in the Set-Up function (refer to **Report Options** later in this chapter).

Range: 1 to 20 numbers and dashes

Enter the sample ID and press .

Press to insert a dash.

Displayed only if **Density** was selected for Analysis display mode (refer to **Report Options** later in this chapter.)

Enter the sample weight and press .

Range: 000.0000 to 999.9999 g

Choose one of the following:

- Press to start the analysis.

The analysis begins and operational status messages are displayed continually.

- Press to store the data you entered and return to display mode.
- Press to cancel the analysis.

Reviewing and Editing Data

The Review function enables you to review and edit the results of the last analysis or calibration along with its entered parameters.

Reviewing and Editing Analysis Results and Parameters

Press to review or edit analysis results.

Display

Sample ID:
(sample ID)

Sample Weight:
(weight)

Entry

Displayed only if enabled in the Set-Up function (refer to **Report Options** later in this chapter). Press .

Displayed only if **Density** is selected for Analysis display mode (refer to **Report Options**).

The sample weight entered in the **Start Analysis** function is displayed. Press .

Den [N] = (density)
Dev [N] = (deviation)

or

Vol [N] = (volume)
Dev [N] = (deviation)

Either density or volume is displayed depending on the selection made for display mode (refer to **Report Options**). [N] is replaced with the number of the run. The deviation from the mean is also displayed.

You may choose to exclude the displayed density or volume from the calculated average by pressing **CHOICE**. When a density or volume is excluded from the average, an asterisk appears next to it.

Similarly, a density or volume that was previously excluded from the calculated average may be included by pressing **CHOICE**. When you press **CHOICE**, a new deviation is calculated and displayed.

Press **ENTER** to display values for the next run.

Press **SAVE** to exit review and edit mode, and return to display mode. All collected data are recalculated automatically and all data reduction messages are added back into the queue.

Reviewing and Editing Calibration Results and Parameters

Press to review or edit calibration results.

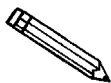
| Display | Entry |
|--|---|
| <div style="border: 1px solid gray; padding: 5px; background-color: #f0f0f0;"> Cal std volume: (volume) </div> | The volume of the calibration standard is displayed. |
| <div style="border: 1px solid gray; padding: 5px; background-color: #f0f0f0;"> Which chamber? Cell </div> | Select either cell chamber or expansion chamber, then press <input type="text" value="ENTER"/> . |
| <div style="border: 1px solid gray; padding: 5px; background-color: #f0f0f0;"> Cell [N] = (volume) Dev [N] = (deviation) </div> <p style="text-align: center;">or</p> <div style="border: 1px solid gray; padding: 5px; background-color: #f0f0f0;"> Exp [N] = (volume) Dev [N] = (deviation) </div> | <p>Either cell or expansion volume is displayed depending on the selection made at the previous prompt. [N] is replaced with the number of the run. The deviation from the mean is also displayed.</p> <p>You may choose to exclude the displayed cell or expansion volume from the calculated average by pressing <input type="text" value="CHOICE"/>. When a volume is excluded from the average, an asterisk appears next to it.</p> <p>Likewise, a cell or expansion volume that was previously excluded from the calculated average may be included by pressing <input type="text" value="CHOICE"/>.</p> <p>When you press <input type="text" value="CHOICE"/>, a new deviation is calculated and displayed.</p> <p>Press <input type="text" value="ENTER"/> to display values for the next run.</p> <p>Press <input type="text" value="SAVE"/> to exit review and edit mode, and return to display mode. All collected data are recalculated automatically and all data reduction messages are added back into the queue.</p> |

Printing Reports

Reports are generated after analysis and calibration and remain available for viewing or printing until another automatic operation (other than zero) is performed. When you perform an automatic operation, reports from the previous operation are deleted.

The Report Options function enables you to select the destination of the report that is automatically generated after an analysis or calibration. The destination may be: *display*, *printer*, or *transmission line*. A display report is always calculated regardless of the specified destination. The display report for analyses contains average density or volume, depending on the option selected (refer to **Report Options**), and the deviation from the mean. The printed report contains volume, density, and deviation for each run, as well as an average of all runs. Note that if you do not enter a sample weight, the value shown for density will be incorrect. When sample weight is not entered, 1.0000 g is used. The report also contains the date and time the analysis was started and completed and the temperature of the cell chamber.

The display report for calibration contains average cell or expansion volume, depending on the option selected (refer to **Report Options**), and the deviation from the mean. The printed report contains cell and expansion volumes for each run, as well as an average of all runs.



A run with an asterisk next to the run number is not included in the calculations.

Figure 4-2 shows a calibration report. Figure 4-3 shows a report for an analysis performed using the same calibration standard. Figure 4-4 shows a report for an analysis performed with run precision enabled.

To display reports, press **CHOICE** to cycle through messages until the report messages are displayed.

Press **6** to print reports. Reports are immediately sent to the printer. If you press **6** during an automatic operation, a partial report is printed.

You may cancel reports sent to the printer or serial line by pressing **CLEAR**. You may cancel partial reports that were requested during an automatic operation when the following message is displayed:

**Print in progress
[Escape] to cancel**

The following is a calibration report. The calibration standard used must be at least 10% of nominal cell volume. We recommend 60 to 70% for the best results.

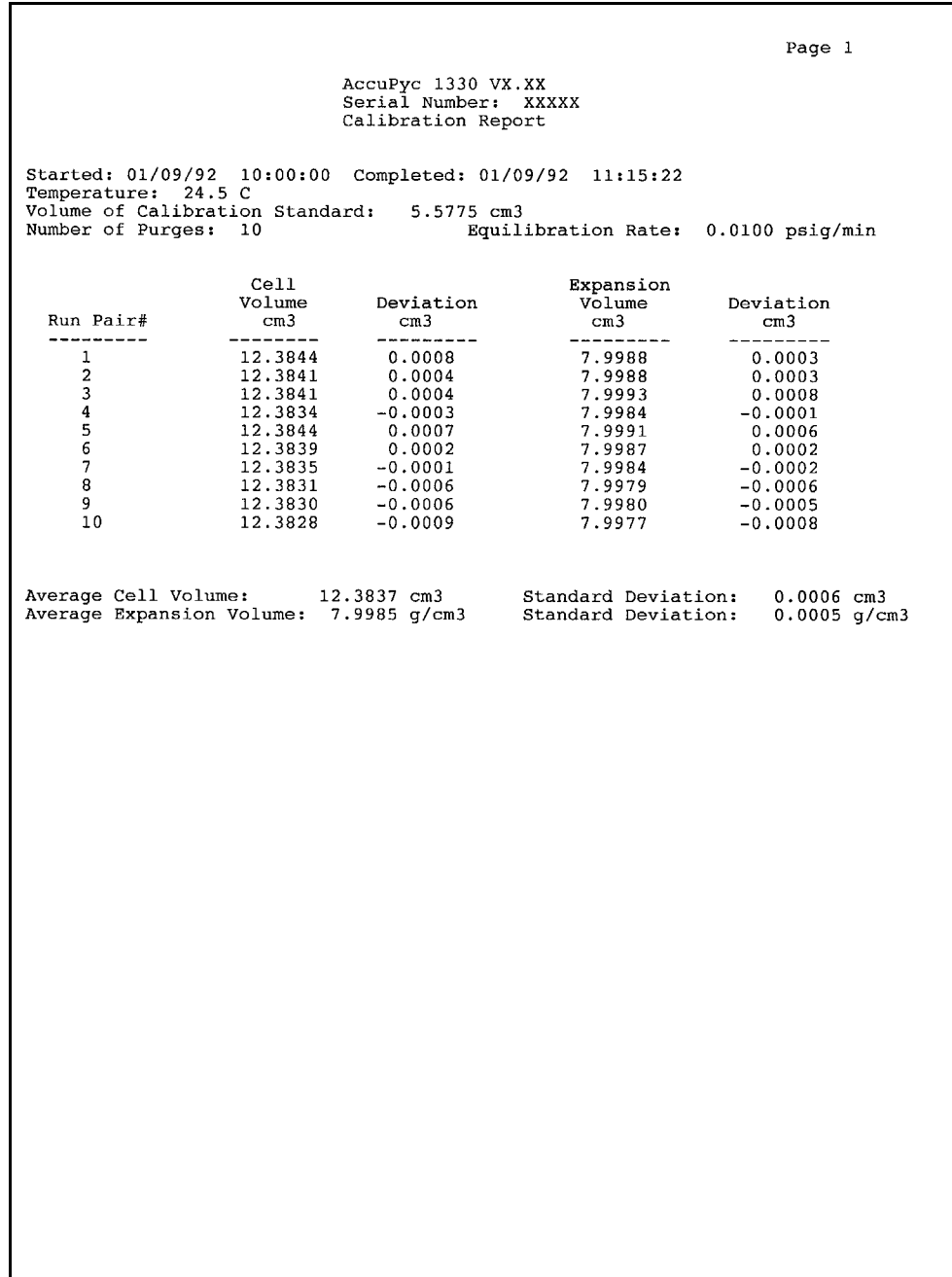


Figure 4-1. Calibration Report

The following report represents an analysis that was performed on the calibration standard used for the previous report.

Page 1

AccuPyc 1330 VX.XX
Serial Number: XXXXX
Density and Volume Report

Sample ID: 11-6-89--12-55 Started: 01/09/92 10:00:00
Sample Weight: 42.6966 g Completed: 01/09/92 11:18:02
Temperature: 24.5 C
Number of Purges: 20 Equilibration Rate: 0.0050 psig/min
Cell Volume: 12.3837 cm3 Expansion Volume: 7.9985 cm3

| Run# | Volume cm3 | Deviation cm3 | Density g/cm3 | Deviation g/cm3 | Elapsed Time (h:m:s) |
|------|---------------|------------------|------------------|--------------------|-------------------------|
| 1 | 5.5767 | -0.0005 | 7.6562 | 0.0007 | 0:15:43 |
| 2 | 5.5772 | -0.0001 | 7.6556 | 0.0001 | 0:18:38 |
| 3 | 5.5771 | -0.0001 | 7.6557 | 0.0002 | 0:21:53 |
| 4 | 5.5771 | -0.0001 | 7.6557 | 0.0002 | 0:24:53 |
| 5 | 5.5777 | 0.0004 | 7.6549 | -0.0006 | 0:28:12 |
| 6 | 5.5775 | 0.0003 | 7.6551 | -0.0004 | 0:31:10 |
| 7 | 5.5776 | 0.0003 | 7.6550 | -0.0005 | 0:34:12 |
| 8 | 5.5779 | 0.0006 | 7.6546 | -0.0009 | 0:37:15 |
| 9 | 5.5774 | 0.0001 | 7.6553 | -0.0002 | 0:40:17 |
| 10 | 5.5775 | 0.0002 | 7.6552 | -0.0003 | 0:43:44 |
| 11 | 5.5773 | 0.0001 | 7.6554 | -0.0001 | 0:47:16 |
| 12 | 5.5770 | -0.0002 | 7.6558 | 0.0003 | 0:50:45 |
| 13 | 5.5776 | 0.0003 | 7.6550 | -0.0005 | 0:54:19 |
| 14 | 5.5776 | 0.0004 | 7.6549 | -0.0006 | 0:57:54 |
| 15 | 5.5770 | -0.0002 | 7.6558 | 0.0003 | 1:01:05 |
| 16 | 5.5776 | 0.0004 | 7.6550 | -0.0005 | 1:04:38 |
| 17 | 5.5766 | -0.0007 | 7.6564 | 0.0009 | 1:07:49 |
| 18 | 5.5765 | -0.0007 | 7.6565 | 0.0010 | 1:10:55 |
| 19 | 5.5766 | -0.0006 | 7.6563 | 0.0008 | 1:14:30 |
| 20 | 5.5762 | -0.0010 | 7.6569 | 0.0014 | 1:18:02 |

Average Volume: 5.5772 cm3 Standard Deviation: 0.0004 cm3
Average Density: 7.6555 g/cm3 Standard Deviation: 0.0006 g/cm3

Figure 4-2. Analysis Report

The following report represents an analysis that was performed on an untreated (not dried) sample with run precision enabled. The run precision feature eliminates data from all but five runs that are within a specified tolerance. An asterisk next to a run indicates that the data from the run were eliminated from the calculations.

| Page 1 | | | | | |
|---|---------------------------|------------------------------|--|--------------------------------|-------------------------|
| AccuPyc 1330 VX.XX Serial Number: XXXXX Density and Volume Report | | | | | |
| Sample ID: 11-6-89--14-45 | | | Started: 01/09/92 12:00:00 | | |
| Sample Weight: 5.8293 g | | | Completed: 01/09/92 13:24:45 | | |
| Temperature: 24.5 C | | | Equilibration Rate: 0.0050 psig/min | | |
| Number of Purges: 20 | | | Expansion Volume: 7.9985 cm ³ | | |
| Cell Volume: 12.3837 cm ³ | | | | | |
| Run# | Volume cm ³ | Deviation cm ³ | Density g/cm ³ | Deviation g/cm ³ | Elapsed Time (h:m:s) |
| 1* | 1.4081 | 0.0000 | 4.1397 | -0.0000 | 0:15:43 |
| 2* | 1.4072 | -0.0010 | 4.1425 | 0.0028 | 0:18:38 |
| 3* | 1.4072 | -0.0009 | 4.1425 | 0.0028 | 0:21:53 |
| 4* | 1.4072 | -0.0010 | 4.1426 | 0.0029 | 0:24:53 |
| 5* | 1.4111 | 0.0030 | 4.1310 | -0.0087 | 0:28:12 |
| 6* | 1.4083 | 0.0001 | 4.1393 | -0.0004 | 0:31:10 |
| 7* | 1.4074 | -0.0007 | 4.1418 | 0.0021 | 0:34:12 |
| 8* | 1.4076 | -0.0005 | 4.1412 | 0.0015 | 0:37:15 |
| 9* | 1.4059 | -0.0011 | 4.1431 | 0.0033 | 0:40:17 |
| 10* | 1.4059 | -0.0023 | 4.1464 | 0.0067 | 0:43:44 |
| 11* | 1.4070 | -0.0011 | 4.1429 | 0.0032 | 0:47:16 |
| 12* | 1.4076 | -0.0006 | 4.1414 | 0.0017 | 0:50:45 |
| 13* | 1.4074 | -0.0007 | 4.1419 | 0.0022 | 0:54:19 |
| 14* | 1.4107 | 0.0025 | 4.1323 | -0.0075 | 0:57:54 |
| 15* | 1.4068 | -0.0013 | 4.1436 | 0.0039 | 1:01:05 |
| 16* | 1.4062 | -0.0020 | 4.1455 | 0.0058 | 1:04:38 |
| 17* | 1.4082 | 0.0000 | 4.1396 | -0.0001 | 1:07:49 |
| 18 | 1.4083 | 0.0002 | 4.1393 | -0.0005 | 1:10:55 |
| 19 | 1.4084 | 0.0003 | 4.1389 | -0.0009 | 1:14:30 |
| 20 | 1.4085 | 0.0004 | 4.1387 | -0.0011 | 1:18:02 |
| 21 | 1.4073 | -0.0008 | 4.1421 | 0.0024 | 1:21:35 |
| 22 | 1.4081 | -0.0000 | 4.1397 | 0.0000 | 1:24:45 |
| Average Volume: 1.4081 cm ³ | | | Standard Deviation: 0.0005 cm ³ | | |
| Average Density: 4.1397 g/cm ³ | | | Standard Deviation: 0.0014 g/cm ³ | | |

Figure 4-3. Analysis with Run Precision Report

Transmitting Reports

The AccuPyc RS-232 interface transmits report data to a computer using the standard ASCII file format. Once captured with an asynchronous serial communications program such as COTERM, which is available from Micromeritics (part no. 003-20632-00), the report data can be used in popular spreadsheet and data manipulation programs.

Press **3** to transmit report data over the serial line. If you press **3** during an automatic operation, a partial report is transmitted.

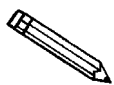
You may cancel report data sent to the serial line by pressing **CLEAR**. You may cancel partial reports that were requested during an automatic operation when the following message is displayed:

Sending line (line no.)
[Escape] to cancel

Reports may be transmitted in one of two formats: *single column* or *spreadsheet*. Refer to Appendix D, **Format of Transmitted Data** for a description of the formats.

Calibrating the Pycnometer

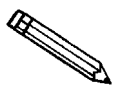
You should check the pycnometer every time you restart it and recalibrate if necessary. You should always recalibrate when you change analysis temperature. For a quick check, run an analysis with an empty cup to see how close the average volume is to 0; it should be $\pm 0.05\%$ of full-scale. If it is not within $\pm 0.05\%$, calibrate as outlined below. When you calibrate the pycnometer, **cell volume** and **expansion volume** in the set-up parameters are updated automatically.



When calibrating the pycnometer, you should set up your calibration parameters so that 10 purges and 10 runs are performed. See the section on *Analysis or Calibration Parameters* later in this chapter.

1. Place an empty cup in the cell chamber.
2. Replace the cell chamber cap.
3. Press to begin the calibration procedure.

| Display | Entry |
|--|---|
| <div style="border: 1px solid gray; padding: 5px; background-color: #f0f0f0;"> Volume of cal std: 1.0000 cm³ </div> | Enter the volume of the calibration standard and press <input type="text"/> ENTER . <i>Range: 0.1 to 999.0000 cm³</i> |
| <div style="border: 1px solid gray; padding: 5px; background-color: #f0f0f0;"> <input type="text"/> [Enter] to start <input type="text"/> [Escape] to cancel </div> | Press <input type="text"/> ENTER to begin the calibration or <input type="text"/> CLEAR to cancel the calibration. Status messages are displayed during the first phase of calibration. When the first phase ends, the pycnometer beeps three times. |
| <div style="border: 1px solid gray; padding: 5px; background-color: #f0f0f0;"> Insert cal std <input type="text"/> [Enter] to start </div> | Place the calibration standard in the cup in the cell chamber. |

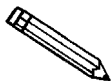


In most cases, use one ball for the 100-cm³ pycnometer; two balls for the 10-cm³ pycnometer. For best results, sample volume should be approximately equal to the volume of the calibration standard. Therefore, if you are calibrating the 10-cm³ pycnometer for use with smaller sample volumes, you may wish to use only one ball.

Replace the cell chamber cap; then press ENTER . When you press ENTER , calibration continues and operational status messages are continually displayed.

Zeroing the Pressure Transducer

The transducer offset may be reset to zero in order to perform diagnostics or to operate the pycnometer manually.



The transducer is automatically set to zero for each run in an analysis or calibration.

Press to zero the pressure transducer.

Display

[Enter] to start
[Escape] to cancel

Entry

Press to zero the transducer or to cancel the operation.

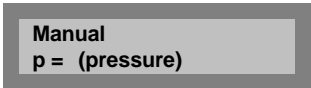
The transducer is zeroed and the pycnometer returns to display mode.

Manually Controlling the Valves

This function enables you to perform a manual analysis by controlling the valves.

Press to enter manual mode.

Display



Manual
p = (pressure)

Entry

When **Manual** is shown in the display, you can manually open and close the fill, expansion, and vent valves by pressing the appropriate keys.

- 7 - Opens and closes the fill valve
- 8 - Opens and closes the expansion valve
- 9 - Opens and closes the vent valve

Observe the indicators above the keys designated for FILL, EXPAND, and VENT. When a valve is open, the indicator is on. When a valve is closed, the indicator is off.

Press to exit manual mode and return to display mode.



Prolonged opening of all three valves at one time may cause excessive loss of helium.

Editing the Setup Parameters

The set-up function enables you to enter parameters to be used for analysis, calibration, reporting, and data transmission. There are five sets of parameters:

- **Analysis or calibration parameters**

The pycnometer is shipped with default values entered for analysis parameters; it is not necessary to edit these values in order to perform an analysis. However, you may modify an analysis to meet your own particular needs by changing the parameters, which include number of purges and runs (0 to 99), fill pressures (0 to 19.850 psig), and equilibration rate (0.0001 to 9.0000 psig/min).

Default values are also entered for calibration parameters. These may be edited in the same manner as analysis parameters. The only difference is that for calibration the maximum number of purges and runs that will be performed by the system is ten.

- **Report options**

Report options specify the report mode (density or volume for analysis) and the report destination.

- **Calibration volumes**

Calibration volumes specify the sample volume and the expansion volume to be used for calibration.

- **Data transmission**

Data transmission specifies transmission parameters such as baud rate, parity, etc.

- **Unit types and Operating Language**

Unit types specify either pounds-per-square-inch gauge (psig) or kilopascals gauge (kPag) to be used as the pressure measurement unit type. It also specifies the language to be used.

The parameters you enter are stored and used to control the pycnometer until new parameters are entered. Instructions follow for each set of parameters.

Analysis or Calibration Parameters

Press to display or edit analysis or calibration parameters.

Display

Set-up type?
Analysis parameters

Number of purges:
3

Purge fill pressure:
19.500 psig

Number of runs:
3

Run fill preissure:
19.500 psig

Entry

Press until **Analysis parameters** is displayed. Then press .

Enter the number of purges to be performed and press .

Range: 0 to 99

Purging cleans the cell and expansion chambers before an analysis begins. The greater the number of purges, the cleaner the sample will be when analyzed.

Enter the fill pressure and press .

*Range: 0 to 19.850 psig
0 to 136.86 kPag*

Generally, the greater the fill pressure, the easier it is to measure the volume precisely. However, a lower pressure may be desirable for some samples.

Enter the number of runs to be performed and press .

Range: 1 to 99

Enter the fill pressure and press .

*Range: 0 to 19.850 psig
0 to 136.86 kPag*

Display

Equilibration rate:
0.005 psig/min

Use run precision?
No

Entry

Enter the equilibration rate and press **ENTER** .

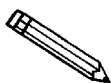
Range: 0.0001 to 9.0000 psig/min
 0.0007 to 62.05 kPag/min

A high rate will produce faster results, but results may not be as precise as desired. The lowest rates may cause errors when some materials (such as materials with appreciable vapor pressures, closed cell foams, or organics) are analyzed.

The run precision feature enables early termination of the analysis when certain criteria are met. When you select run precision, the analysis will terminate after five consecutive runs are within the specified tolerance.

If you select run precision, you should request a large number (50 to 99) of runs. If you select a small number of runs, the analysis stops when the number you entered is reached even though the specified tolerance has not been met.

Select yes or no, then press **ENTER** .



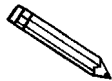
This prompt applies for analysis only.

Percent full-scale:
0.05%

This prompt is displayed only if the number of runs is greater than five.

Enter the run precision volume tolerance which is expressed as a percent of nominal cell volume, then press **ENTER**.

Range: 0.01% to 50%



Nominal cell volume is the sample capacity.

Set-up type?
Analysis parameters

Choose one of the following options:

- Press **SAVE** to save the information you entered and return to display mode.
- Enter another set-up type.
- Press **CLEAR** to discard the information you entered and return to display mode.

Report Options

Press to display or edit report options.

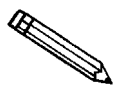
Display

Set-up type?
Report options

Press until **Report options** is displayed.
Then press .

Anls display mode?
Density

Select the mode, either density or volume, in which the analysis report will be displayed, then press .



Both density and volume will be shown on the printed report, but density will be correct only if sample weight was entered.

Request sample ID?
Yes

A sample ID is a unique identifier of the sample. It can contain from 1 to 20 numbers or dashes.

Using sample IDs can help you keep track of data from various analyses. For example, you can use the sample ID as a date and time stamp.

Select either yes or no, then press .

Transmission format?
Single column

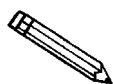
Select the format of data to be used when transmitting reports. Refer to Appendix D for a description of the formats.

Choices: Single column, Spreadsheet

Report destination?
Display

Select the destination of the report that is automatically generated after an analysis or calibration, then press .

Choices: Display, Printer, Transmission line.



A display report is always calculated regardless of the destination.

Display

Set-up type?
Report options

Entry

Choose one of the following options:

- Press **SAVE** to save the information you entered and return to display mode.
- Enter another set-up type.
- Press **CLEAR** to discard the information you entered and return to display mode.

Calibration Data

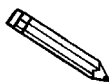
Press to display or edit calibration data.

Display

Set up type?
Calibration data

Entry

Press until **Calibration data** is displayed; then press .



When the pycnometer is calibrated, cell volume and expansion volume are updated automatically.

Cell volume:
(value from calibration)

Enter the cell volume; press .

Range: 0.01 to 999.0000 cm³

Expansion volume:
(value from calibration)

Enter the expansion volume; press .

Range: 0.5 to 999.0000 cm³

Temperature offset:
(pre-set value)

The temperature offset is pre-set at the factory and is entered on the Calibration Sheet shipped with the instrument. It should not be changed unless the battery-backed RAM is reinitialized. If battery-backed RAM is reinitialized, enter the value from the calibration sheet; press .

Range: 0 to 100.00°C

If the pre-set value appears inaccurate, recalibrate the temperature as follows:

1. Determine the temperature being read by the instrument by adding the temperature displayed at the **Reload** prompt and the preset value.
2. Subtract the temperature of the bath circulator from the temperature being read by the instrument (determined in step 1) to determine the new offset.
3. Enter the new offset.

Display

Set up type?
Calibration data

Entry

Choose one of the following options:

- Press to save the information you entered and return to display mode.
- Enter another set-up type.
- Press to discard the information you entered and return to display mode.

Data Transmission

Press **2** to display or edit data transmission parameters.

Display

Set-up type?
Data transmission

Baud rate?
9600 baud

Number of data bits?
8

Number of stop bits?
1

Parity?
None

Xon/Xoff?
Disabled

Set-up type?
Data transmission

Entry

Press **CHOICE** until **Data transmission** is displayed, then press **ENTER**.

Baud rate specifies the rate of data transmission. Select the baud rate, then press **ENTER**.

Choices: 9600 600
 110 1200
 150 2400
 300 4800

Select either 8 or 7, then press **ENTER**.

Select either 1 or 2, then press **ENTER**.

Select the parity, then press **ENTER**.

Choices: None, Even, Odd

Select either disabled or enabled, then press **ENTER**.

Choose one of the following options:

- Press **SAVE** to save the information you entered and return to display mode.
- Enter another set-up type.
- Press **CLEAR** to discard the information you entered and return to display mode.

Unit Types, Operating Language, Date, and Time

Press to display or edit unit types, operating language, date, or time.

Display

Set up type?
Unit types

Pressure Units?
psig

Language?
English

Entry

Press until **Unit types** is displayed, then press .

Select either psig (pounds-per-square-inch gauge) or kPag (kilopascal gauge), then press .

Select the desired language, then press .

Choices: English, Deutsch, Español, Français, or Italiano



If there are error messages in the message queue (indicated by an asterisk next to the Reload prompt), delete the messages before changing languages. Refer to Error, Report, and System Status Messages earlier in this chapter. Make sure you press SAVE after changing languages.

Date (DD/MM/YY)
(pre-set date)

The date is included in all printed and transmitted reports. If the date shown is incorrect, you may enter the correct date as follows: day/month/year. Note that each entry must contain two digits.

For example, to enter January 1, 1999, enter **01/01/99** and press .

The key is used to enter a slash (/).

Display

Time (HH:MM:SS)
(pre-set time)

Set up type?
Unit types

Entry

The time (in 24-hour format) at which an analysis was started and completed is shown on all printed and transmitted reports. If the time shown is incorrect, you may enter the correct time as follows: hours/minutes/seconds. Note that each entry must contain two digits.

For example, to enter 1:05 P.M., enter **13:05:00** and press **ENTER**.

The **.** key is used to enter a colon (:).

Choose one of the following options:

- Press **SAVE** to save the information you entered and return to display mode.
- Enter another set-up type.
- Press **CLEAR** to discard the information you entered and return to display mode.

CHAPTER 5

TROUBLESHOOTING AND MAINTENANCE

- Troubleshooting
- Error and Status Messages
- Maintenance

TROUBLESHOOTING AND MAINTENANCE

This chapter describes common operational problems and their solutions, error and status messages, and maintenance procedures. If further assistance is needed after following the procedures in this chapter, contact a Micromeritics Service Representative.

Troubleshooting

Operating problems encountered with the pycnometer are usually easily corrected. Typical problems and the steps required to correct them are described in the following table.

Table 5-1. Common Operational Problems

| What Happened | Why | What To Do |
|---|--|--|
| Nothing happens when power switch is turned on (ie: no lights on schematic display, nothing on LCD screen). | Power cord not fully inserted at one end or the other. | Insert power plug firmly into outlet socket; insert unit connector firmly into power connector opening. |
| | No power at outlet. | Plug in lamp or small appliance to test outlet. If there is no power, contact electrician. |
| | Plug prongs bent so that contact not made at outlet. | Wiggle power plug at outlet while watching display. If display comes on, have electrician adjust prongs or replace outlet or plug. |
| | Power cord damaged. | Have electrician check cord using test meter. Replace if defective. |
| | Loose internal connection, broken wire, or failure of internal power supply. | Contact a Micromeritics Service Representative for repair or replacement information. |

| What Happened | Why | What To Do |
|--|--|--|
| Unexpected characters on LCD screen (ie: squares, nothing but a cursor). | Software card improperly installed or defective. | Check to be sure that the card is installed properly. (NEVER insert or remove the card while the power is turned on.) |
| Specified pressure not reached or maintained. | Chamber cap not properly closed. | Close chamber cap by turning clockwise. |
| | Chamber cap contains dust or debris or the O-ring is not properly greased. | Clean both the chamber cap and the rim of the cell chamber by wiping with lint-free tissue. Lightly grease the chamber cap O-ring (refer to Greasing the Chamber Cap O-Ring later in this chapter). |
| | O-ring in chamber cap not properly seated. | Check the chamber cap. Ensure that the O-ring is properly seated and that it contains no scratches or cuts. |
| | O-ring in chamber cap is cut or scratched. | Replace the O-ring in the chamber cap (refer to Replacing the Chamber Cap O-Ring later in this chapter). |
| | Gas leaks in the cell chamber or expansion chamber. | Check the pycnometer for leaks (refer to Checking the Cell and Expansion Chambers for Leaks later in this chapter). |

| What Happened | Why | What To Do |
|--|---|--|
| Specified pressure not reached or maintained. (continued) | Helium tank empty. | Check tank. Minimum recommended pressure is 200 psig. |
| | Cylinder Shut Off Valve closed. | Check that valve is open. |
| | Pressure regulator defect or pressure set too low. | Check regulator to be sure it is set properly. Call a Micromeritics Service Representative, if necessary. |
| | Zero offset (of pressure transducer) too low. | Check offset by opening chamber cap. If offset is negative, run new zero offset (Zeroing the Pressure Transducer , Chapter 4). |
| Helium drained from tank. | Leaks in the gas line connection. | Pressurize the system. Close, then open the Cylinder Shut-Off Valve. If the needle on the pressure gauge on the gas cylinder jumps abruptly, a leak in the gas line connections may be indicated. Check all gas line connections. (Refer to Rear Panel Connections in Chapter 2 for connection instructions.) |
| | Pycnometer was left in manual mode with all the valves open or the fill valve open and the chamber cap off. | Close all valves, then attach a new tank of helium. |

| What Happened | Why | What To Do |
|--|--|--|
| <p>Unit will not equilibrate, or reproducibility results falter.</p> | <p>Unit was left in manual mode with all the valves open or the fill valve open and the chamber cap off.</p> | <p>Close all valves, then attach a new tank of helium.</p> |
| | <p>Sample outgassing.</p> | <p>Prior to analysis, remove moisture and contaminants from sample. (Refer to Preparing and Loading a Sample, Chapter 3.)</p> |
| | <p>Pycnometer leaks.</p> | <p>Check cap O-ring for defects. Regrease or replace the O-ring, if necessary.</p> |
| | | <p>While in Manual Mode, with the cap installed, open all valves. With helium flowing through the pycnometer, actuate the expansion valve repeatedly for approximately 1 minute. This will remove lint, which could cause a leak, from the valve seat. Repeat the process for the vent valve with the inlet and expansion valves open.</p> |

Error and Status Messages

The following error messages may appear in the display area of the pycnometer. Some of the messages contain the statement: “NN/ZZ runs completed.” When this appears, NN will be replaced with the number of runs completed when the error occurred and ZZ will be replaced with the number of runs requested.

The messages are organized into two categories: Queued Messages and Messages Displayed During an Automatic Operation.

Queued Messages

Messages placed in a queue are displayed in chronological order when you press . When the queue contains error messages, an asterisk is shown next to the **Reload** prompt.

ANLSERR: Eq failure NN/ZZ runs completed

Cause: The sample being analyzed failed to equilibrate in 1000 seconds.

Action: Check the system carefully for leaks as described in **Checking the Cell and Expansion Chambers for Leaks** later in this chapter. Make sure the sample is properly prepared before performing an analysis.

Cause: Sample (foams, organics, etc.) absorbs helium slowly.

Action: Set the equilibration rate to progressively higher values until reasonable equilibration times (15 sec to 120 sec) are achieved.

ANLSERR: Fill failure NN/ZZ runs completed

Cause: There was insufficient pressure to allow filling within five minutes during an analysis.

Action: Increase the regulator pressure or, if there is insufficient helium in the tank, obtain a new tank of helium.

**ANLSERR: Overrange
NN/ZZ runs completed**

Cause: A pressure overrange occurred during an analysis because the regulator pressure is set too high.

Action: Adjust the pressure so that it is equal to the higher of the two fill pressures specified in the analysis parameters plus 2.0 psig.

Cause: A pressure overrange occurred during an analysis because an error occurred in the pressure measurement electronics.

Action: Call a Micromeritics Service Representative.

**ANLSERR: Underrange
NN/ZZ runs completed**

Cause: A pressure underrange occurred during an analysis because an error occurred in the pressure measurement electronics.

Action: Call a Micromeritics Service Representative.

**CAL1ERR: Eq failure
NN/ZZ runs completed**

Cause: The empty cell chamber failed to equilibrate in 1000 seconds during the first pass of calibration.

Action: Check the system for leaks as described under **Checking the Cell and Expansion Chambers for Leaks** later in this chapter.

**CAL1ERR: Fill failure
NN/ZZ runs completed**

Cause: There was insufficient pressure to allow filling within five minutes during the first pass of calibration.

Action: Open the tank valves if shut, increase the regulator pressure or, if there is insufficient helium in the tank, obtain a new tank of helium. (Minimum recommended tank pressure is 200 psig.)

**CAL1ERR: Overage
NN/ZZ runs completed**

Cause: A pressure overrange occurred during the first pass of calibration because the regulator pressure is set too high.

Action: Adjust the pressure so that it is equal to the higher of the two fill pressures specified in the analysis parameters plus 2.0 psig.

Cause: A pressure overrange occurred during the first pass of calibration because an error occurred in the pressure measurement electronics.

Action: Call a Micromeritics Service Representative.

**CAL1ERR: Underrange
NN/ZZ runs completed**

Cause: A pressure underrange occurred during the first pass of calibration because an error occurred in the pressure measurement electronics.

Action: Call a Micromeritics Service Representative.

**CAL2ERR: Eq failure
NN/ZZ runs completed**

Cause: The calibration standard failed to equilibrate in 1000 seconds during the second pass of calibration.

Action: Check the system for leaks as described under **Checking the Cell and Expansion Chambers for Leaks** later in this chapter.

**CAL2ERR: Fill failure
NN/ZZ runs completed**

Cause: There was insufficient pressure to allow filling within five minutes during the second pass of calibration.

Action: Open the tank valves if shut, increase the regulator pressure or, if there is insufficient helium in the tank, obtain a new tank of helium. (Minimum recommended tank pressure is 200 psig.)

**CAL2ERR: Overrange
NN/ZZ runs completed**

Cause: A pressure overrange occurred during the second pass of calibration because the regulator pressure is set too high.

Action: Adjust the pressure so that it is equal to the higher of the two fill pressures specified in the analysis parameters plus 2.0 psig.

Cause: A pressure overrange occurred during the second pass of calibration because an error occurred in the pressure measurement electronics.

Action: Call a Micromeritics Service Representative.

**CAL2ERR: Underrange
NN/ZZ runs completed**

Cause: A pressure underrange occurred during the second pass of calibration because an error occurred in the pressure measurement electronics.

Action: Call a Micromeritics Service Representative.

**DATA_ERR:
No data to compute**

Cause: An automatic operation was canceled before all necessary data could be collected.

Action: Restart the automatic operation.

Cause: All the runs have been excluded in review mode.

Action: Return to review mode and include some runs.

**DTA_WRN: Cal std
10% of full-scale**

Cause: The system tried to generate a calibration report, but the calibration standard used was less than 10% of the nominal cell chamber volume. Resulting data may be inaccurate.

Action: Use a calibration standard of sufficient size (calibration standards are available from Micromeritics). The calibration standard should occupy at least 10% of the nominal cell chamber volume and the more nearly filled the cell is, the better the calibration.

**DTA_WRN: Volume
10% of full-scale**

Cause: The amount of sample placed in the sample cup was so small that the percentage of precision may be inferior.

Action: Rerun the sample using enough material to occupy the maximum amount of the nominal cell chamber volume.

**HW_ERR: A/D I/O
failure**

Cause: An error in the pressure measurement electronics has occurred.

Action: Call a Micromeritics Service Representative.

**HW_ERR; BB RAM has
been initialized**

Cause: Battery backed RAM has failed.

Action: Call a Micromeritics Service Representative.

**HW_ERR: Valve I/O
failure**

Cause: An error in the valve control electronics has occurred.

Action: Call a Micromeritics Service Representative.

**MAN_ERR:
Pressure overrange**

Cause: The fill valve was left open until the maximum system pressure was exceeded.

Action: Close the fill valve and open the vent and expansion valves. Allow the pressure to stabilize.

**PRT_ERR: Timeout
failed to respond**

Cause: The printer took longer than 30 seconds to acknowledge receipt of data from the pycnometer.

Action: Check to make sure the printer is properly connected to the pycnometer, is turned on, and is on line.

**SYS_ERR: Power Fail
NN/ZZ Runs Completed**

Cause: A power failure occurred and when power resumed, the automatic operation was canceled.

Action: Restart the automatic operation if desired.

**TRN_ERR: Timeout
failed to respond**

Cause: The receiving device took longer than 10 seconds to acknowledge receipt of data from the pycnometer.

Action: Make sure the receiving device is properly connected to the pycnometer RS-232 port and is turned on. Verify that the serial I/O parameters controlling the receiving device correspond with the data transmission parameters in the set up mode.

**USR_ERR: Cal std
10% of full-scale**

Cause: You tried to enter a calibration standard volume that is less than 10% of the nominal full-scale volume.

Action: Enter a volume that represents at least 10% of the nominal cell chamber volume.

**USR_ERR:
No data to review**

Cause: You tried to review data for an automatic operation when there were no data to review.

Action: Abandon request.

**USR_ERR: Number of
runs must be = 5**

Cause: You tried to enable run precision without increasing the number of runs to at least five.

Action: Increase the number of runs to five or abandon request.

**USR_ERR:
Out of range**

Cause: You tried to enter a value that is out of the valid range.

Action: Enter a value in the specified range (refer to Chapter 4).

**USR_ERR:
Pressure overrange**

Cause: A pressure overrange occurred but was left uncorrected.

Action: Return to manual mode and vent the system.

ZEROERR: Eq failure

Cause: The system failed to equilibrate within 1000 seconds.

Action: Check the pycnometer for leaks. Make sure the pycnometer has been placed in a draft-free environment.

ZEROERR: Overrange

Cause: A pressure overrange occurred while zeroing.

Action: Check for a fill valve leak. If there is none, contact a Micromeritics Service Representative.

ZEROERR: Underrange

Cause: An error occurred in the pressure measurement electronics and caused a pressure underrange while zeroing.

Action: Call a Micromeritics Service Representative.

Messages Displayed During an Automatic Operation

When an automatic operation is in progress, status messages are continually displayed.

Automatic operation has been canceled

Cause: The automatic operation has been canceled by the user.

Action: Wait for the termination process to complete or end the termination process by pressing two more times.

Print in progress [ESCAPE] to cancel

Cause: Status message displayed when a report is being printed.

Action: None; this is a status message only.

Printer port not responding

Cause: The printer took longer than 30 seconds to acknowledge receipt of data from the pycnometer.

Action: Check to make sure the printer is properly connected to the pycnometer, is turned on, and is on line.

Sending line (line number) [ESCAPE] to cancel

Cause: Status message displayed when data are being transmitted.

Action: None; this is a status message only.

Transmission port not responding

Cause: The receiving device took longer than five seconds to acknowledge receipt of data from the pycnometer.

Action: Make sure the receiving device is properly connected to the pycnometer RS-232 port and is turned on. Verify that the serial I/O parameters controlling the receiving device correspond with the data transmission parameters in the set up mode.

**Transmission port
waiting for Xon**

Cause: The receiving device stopped transmission by sending an Xoff, and hasn't resumed the transmission by sending an Xon.

Action: None; when the receiving device is ready for more data, it should send the pycnometer an Xon.

The following message is displayed on the printer or on the screen for transmitted data.

No collected data to report, or all runs excluded

Cause: This message is printed or transmitted if you requested a report but there is either no data available or data has been excluded via review mode.

Action: Initiate an automatic operation or return to review mode and include at least one run.

Maintenance

Greasing the Chamber Cap O-Ring

The cell chamber cap contains an O-ring that requires routine maintenance because it is so often exposed. The chamber cap O-ring should be greased at the beginning of each period of use.



Rubber gloves should be worn to prevent contamination of the grease with oil from your fingertips. Carefully apply a thin layer of grease; too much or too little grease can cause a problem. Too much grease may alter cell volume. Too little grease results in an imperfect seal.

1. Remove the chamber cap by turning it counterclockwise then lifting off.
2. Wipe off the old grease using lint-free tissue.
3. Using your fingertips, apply a thin layer of Dow Corning high vacuum grease (or equivalent) to the greasing disk.
4. Insert the greasing disk into the chamber cap and turn slightly to apply a very light coating of grease to the O-ring.



Apply a VERY LIGHT coating of grease to the O-ring. There should be no visible ridges of grease; excess grease may alter analysis results.

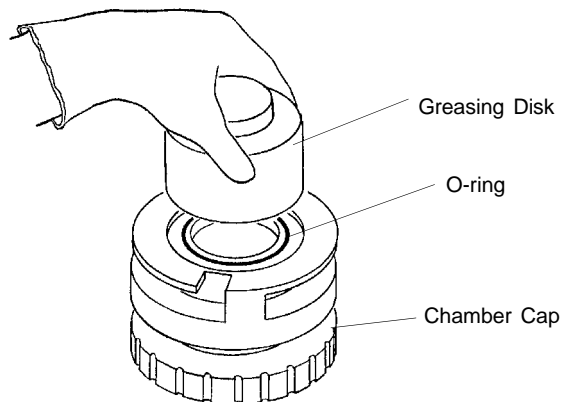


Figure 5-1. Greasing Chamber Cap O-Ring

5. Wipe the mating surface in the cell chamber with lint-free tissue.
6. Replace the chamber cap.

Replacing the Chamber Cap O-Ring

Fine fibers and particles between the O-ring and its sealing surfaces can cause leaks, as can scratches or cuts in the O-ring or in the metal surfaces. Follow the steps outlined below when it is necessary to replace the O-ring.

1. Remove the O-ring from its groove by pushing a sharp tool into the ring and prying it out.



Be careful not to scratch the metal surface of the chamber cap. Scratches could result in an imperfect seal.

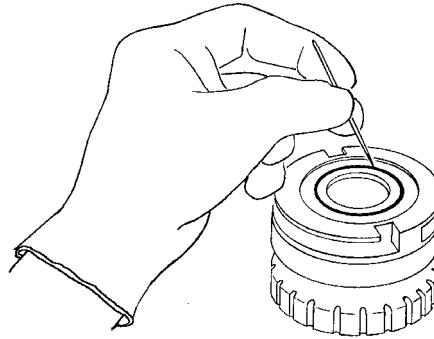


Figure 5-2. Removing the Chamber Cap O-Ring

2. Clean the groove in the chamber cap using a small brush or lint-free tissue and isopropyl alcohol.

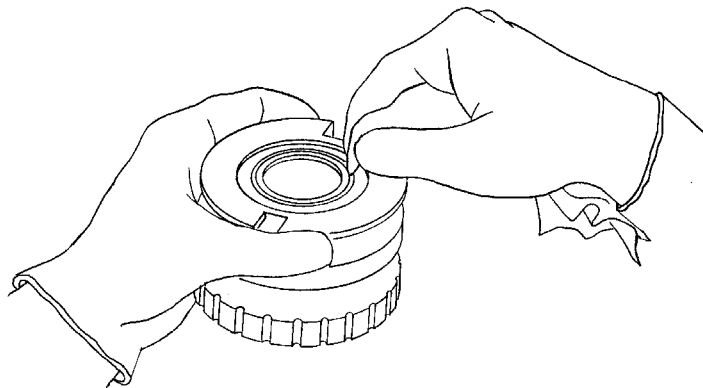
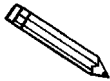


Figure 5-3. Cleaning the Chamber Cap

3. Allow the chamber cap to dry thoroughly.
4. Grease the O-ring using Dow Corning vacuum grease (or equivalent).
5. Replace the O-ring, being careful not to nick or scratch it.

Checking the Cell and Expansion Chambers for Leaks

Perform the following steps to check the cell and expansion chambers for leaks.



This procedure should be performed in a temperature-stable environment after the pycnometer has been warmed up for at least two hours. Before performing this procedure, check the chamber cap to ensure that it is not the source of leaks. It should be free from particles, the O-ring should be properly seated, and it should not contain excessive grease.

1. Allow the pycnometer to equilibrate thermally in a room having a stable temperature.
2. Press to enter manual mode.
3. If the system has been open, manually purge the system before proceeding as follows:
 - a. Press to open the expansion valve and to close the vent valve. (The indicator above the key is turned on when the valve is open.)
 - b. Press to open the fill valve and fill the sample chamber to the desired pressure.
 - c. Press to close the fill valve and to open the vent valve.
 - d. Repeat this procedure two or three times.
 - e. Press to close the expansion valve.
4. Press to open the fill valve.
5. Fill the sample chamber to 19.5 psig.
6. Press to close the fill valve.

7. Observe the pressure display. After an equilibration period (about 20 to 30 seconds), the pressure should not vary more than 0.005 psig/min.
 - If the pressure does not vary more than 0.005 psig/min, proceed to step 8.
 - If the pressure varies more than 0.005 psig/min., temperature instability or a leak may be indicated. Vent the system, then repeat steps 4 through 7 several times to verify that a leak is indicated. If a leak is indicated, call a Micromeritics Service Representative.
8. Press **8** to open the expansion valve and **7** to open the fill valve.
9. Fill the chambers to 19.5 psig.
10. Press **7** to close the fill valve.
11. Observe the pressure display. After an equilibration period (about 20 to 30 seconds), the pressure should not vary more than 0.005 psig/min.

If the pressure varies more than 0.005 psig/min, temperature instability or a leak may be indicated. Vent the system, then repeat steps 8 through 11 several times to verify that a leak is indicated. If a leak is indicated, call a Micromeritics Service Representative.

Replacing the Gas Inlet Filters

The gas inlet contains a filter that may become contaminated after extended periods of use. If you are getting very low or erratic values for volume and density, the filter may be contaminated. Replace it as follows.

1. Turn off the gas supply at the regulator mounted to the cylinder by turning the cylinder shut-off valve fully counterclockwise.

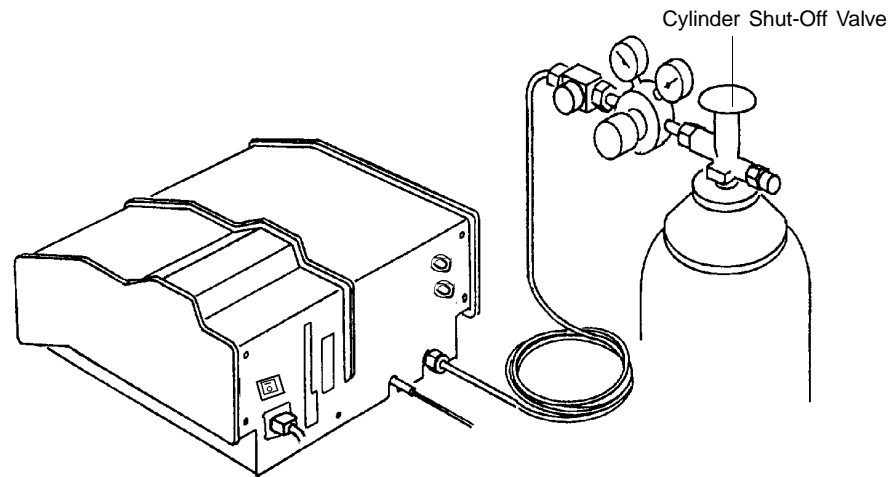


Figure 5-4. Turning Off Gas Supply

2. Press on the pycnometer keypad to enter manual mode. Then press VENT to open the vent valve, EXPAND to open the expansion valve, and FILL to open the fill valve.



The power cord should be disconnected from the unit before disconnecting the gas supply. Failure to do so could result in electrical shock.

3. Observe the pressure reading. When the pressure drops to less than 1 psig, place the power switch on the back of the pycnometer in the off (0) position. Remove power cord.
4. Disconnect the gas supply line from the rear panel of the pycnometer by turning the nut on the INLET connect counterclockwise with a 7/16-in. open-end wrench.
5. Disconnect the gas vent line (if attached) by gently pulling the flexible tubing from the rigid tubing labeled VENT at the rear of the pycnometer.

6. Remove the printer cable and the serial cable (if used) from the rear panel of the pycnometer.
7. Remove the rear panel by removing the retaining screws that hold the panel in place.

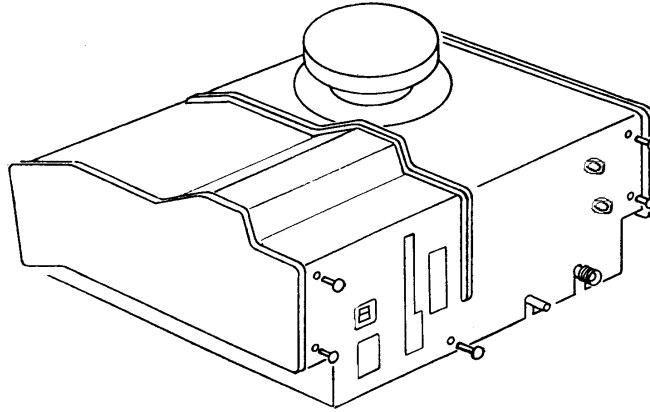


Figure 5-5. Removing Rear Panel

8. Lift the side panels at the rear of the pycnometer and rotate forward. The cover should lock in an upright position as shown below.

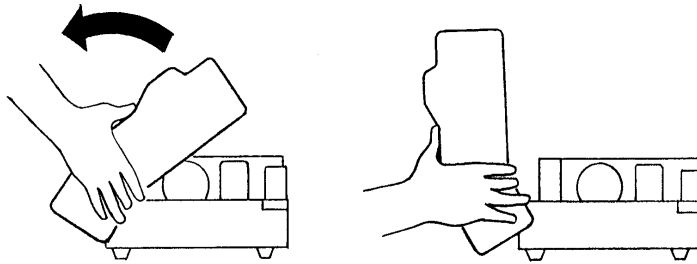


Figure 5-6. Rotating Top Panel

9. Remove the two screws that secure the gas inlet entrance assembly.

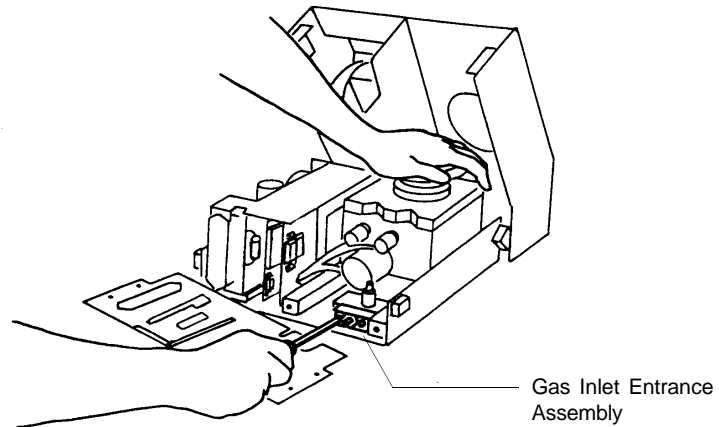


Figure 5-7. Gas Inlet Entrance Assembly

10. Remove the filter and O-ring.

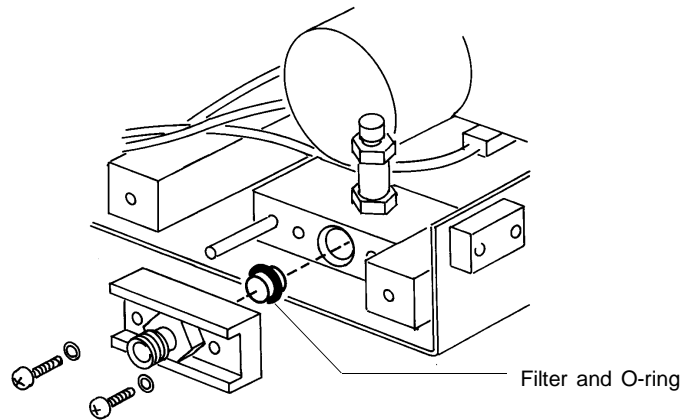


Figure 5-8. Removing Filter and O-ring

11. Wipe the interior of the gas entrance block with lint-free cloth to remove any grease that may still be present.
12. Very lightly grease the new O-ring with high vacuum grease.



Apply only a very light coating of grease. Too much grease can clog the filter or disrupt gas flow.

13. Insert the new filter and O-ring into the gas entrance block.
14. Replace the two screws that secure the gas inlet entrance assembly.
15. Lower the side panels of the pycnometer.
16. Replace the rear panel of the pycnometer and secure with the screws removed in step 7.

Cleaning the Pycnometer

The exterior casing of the pycnometer may be cleaned using a clean cloth, dampened with isopropyl alcohol (IPA), a mild detergent solution, or a 3% hydrogen peroxide solution.



Do not immerse the pycnometer or the power cord in any liquids. Doing so could result in electrical shock to personnel or damage to the unit.



Do not allow liquid to penetrate the casing of the pycnometer. Doing so could result in damage to the unit.

Recovering from a Power Failure

The pycnometer has a battery back-up feature that saves entered data in case of a power failure. Set up parameters and any other data entered will still be present when power is restored. If an automatic operation was in progress when the power failure occurred, it will be canceled when the pycnometer restarts. Any data collected during the automatic operation will still be present, but the operation should be started again in order to produce complete results.

CHAPTER 6

ORDERING INFORMATION

ORDERING INFORMATION

Components and accessories for the AccuPyc 1330TC can be ordered through our Customer Order Entry Department - (770) 662-3636. When ordering, please use the information provided below.

| Part Number | Item and Description |
|--------------|--|
| 133-00010-00 | AccuPyc 1330TC, fully automatic gas displacement pycnometer with temperature control capability; 10-cm ³ capacity. |
| 133-00020-00 | AccuPyc 1330TC, fully automatic gas displacement pycnometer with temperature control capability; 100-cm ³ capacity. |
| 133-34802-00 | Sample Module, 10 cm ³ |
| 133-34803-00 | Sample Module, 1 cm ³ |
| 133-34804-00 | Sample Module, 100 cm ³ |
| 133-25805-00 | Sample Cup, 10-cm ³ capacity |
| 133-25845-00 | Sample Cup, 100-cm ³ capacity |
| 004-25575-00 | Chamber Cap O-ring, 10 cm ³ |
| 004-25577-00 | Chamber Cap O-ring, 100 cm ³ |
| 133-34900-00 | Calibration Standard Kit, contains two 10-cm ³ calibration standards and one 10-cm ³ sample cup |
| 133-34902-00 | Calibration Standard Kit, contains one 100-cm ³ calibration standard and one 100-cm ³ sample cup |
| 004-25633-00 | Calibration Standard, 10 cm ³ |
| 004-25632-00 | Calibration Standard, 100 cm ³ |
| 004-25549-00 | Reducer, 1/8-in. tube x 1/4-in. tube |
| 004-62230-58 | Gas Regulator, 30 psig, CGA 580 |
| 230-02001-00 | Gas Inlet Line Assembly |
| 004-27042-00 | Inlet Filter |
| 004-25469-00 | Inlet Transducer Filter O-ring |
| 008-16045-00 | High Vacuum Grease, Dow Corning |
| 133-25825-00 | Greasing Disk |
| 003-20616-01 | RS-232 Cable, F/F 10-ft shielded |

| Part Number | Item and Description |
|--------------------|---|
| 133-42701-01 | French Template |
| 133-42701-02 | German Template |
| 133-42701-03 | Spanish Template |
| 133-42701-04 | Italian Template |
| 133-42810-00 | Operator's Manual |
| 008-32131-00 | Tubing, 4-ft piece, for connecting bath circulator |
| 004-25681-01 | Fitting, 1/4 in. (set of 2), for bath circulator connectors |

APPENDIX A

CHANGING THE ANALYSIS MODULE

CHANGING THE ANALYSIS MODULE

Analysis modules, which house the cell chamber, are available in various sizes, enabling you to analyze different size samples with precision. To change the analysis module:

1. Turn off the gas supply at the regulator mounted to the gas cylinder by turning the Cylinder Shut-Off Valve fully clockwise.

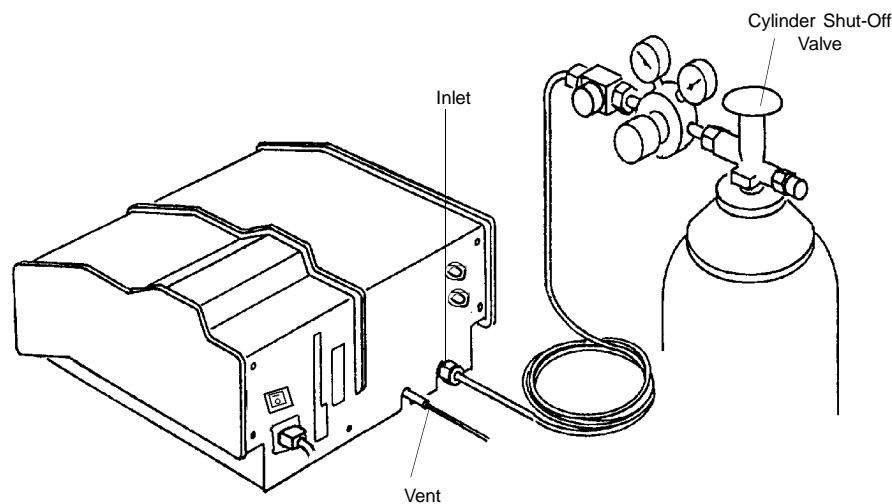


Figure A-1. Turning Off Gas Supply

2. Press on the pycnometer keypad to enter manual mode. Then press VENT to open the vent valve, EXPAND to open the expansion valve, and FILL to open the fill valve.



The power cord should be disconnected from the unit before disconnecting the gas supply. Failure to do so could result in electrical shock.

3. Observe the pressure reading. When the pressure drops to less than 1 psig, place the power switch on the back of the pycnometer in the off (O) position. Remove the power cord.

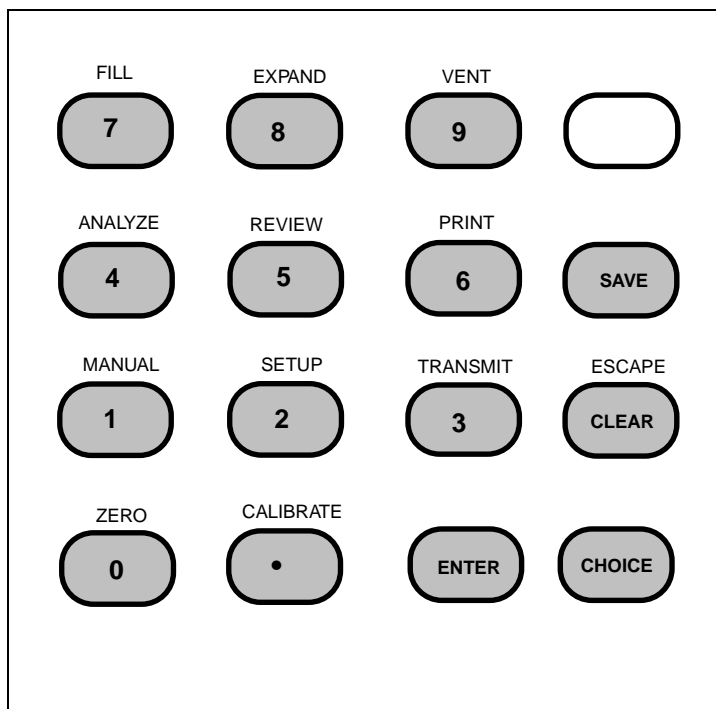


Figure A-2. Pycnometer Keypad

4. Disconnect the gas supply line from the rear panel of the pycnometer by turning the nut on the INLET connector counterclockwise with a 7/16 in. open-end wrench (refer to Figure A-1).
5. Disconnect the gas vent line (if attached) by gently pulling the flexible tubing from the rigid tubing labeled VENT at the rear of the pycnometer.
6. Remove the printer cable and the serial cable (if used) from the rear panel of the pycnometer.
7. Remove the cap from the cell chamber.

8. Remove the rear panel by removing the retaining screws that hold the panel in place.

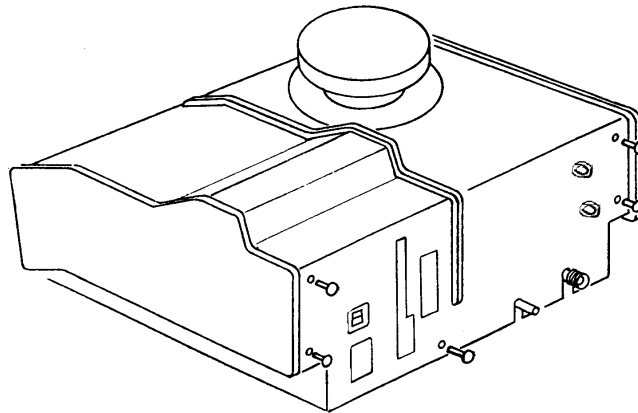


Figure A-3. Removing Rear Panel

9. Lift the side panels at the rear of the pycnometer and rotate forward as shown in Figure A-4A. After about 100 degrees rotation, the assembly should lock in an upright position as shown in Figure A-4B.

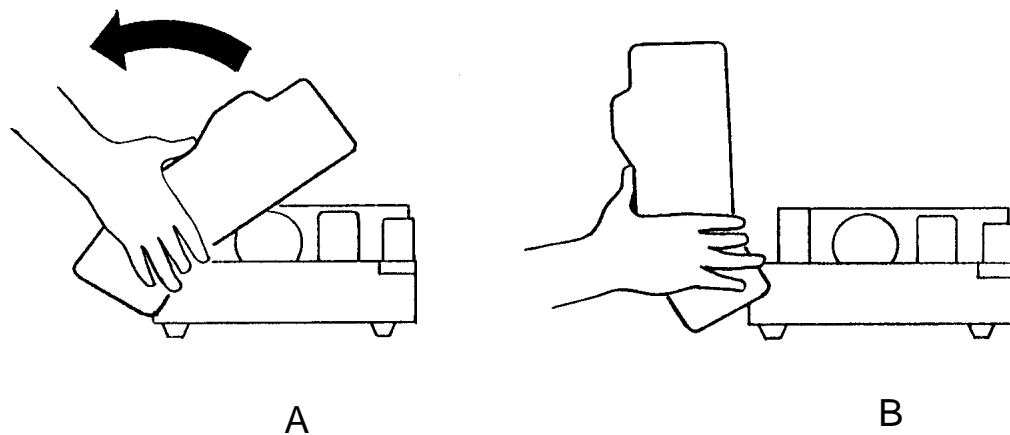


Figure A-4. Rotating Top Panel

10. Remove the screws securing the module mounting rails to the baseplate.

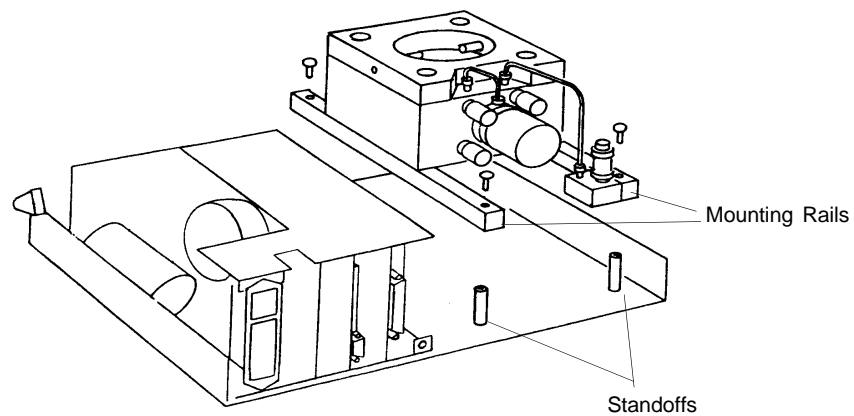


Figure A-5. Module Mounting Rails

11. Grasp the module and pull it straight up. A convenient method of removing the module is to replace the cap completely and use the knob as a handle to pick up the module. Observe the standoffs mounted to the baseplate and the corresponding recesses in the rails.
12. Disconnect the cable assemblies going to the valves mounted to the block.

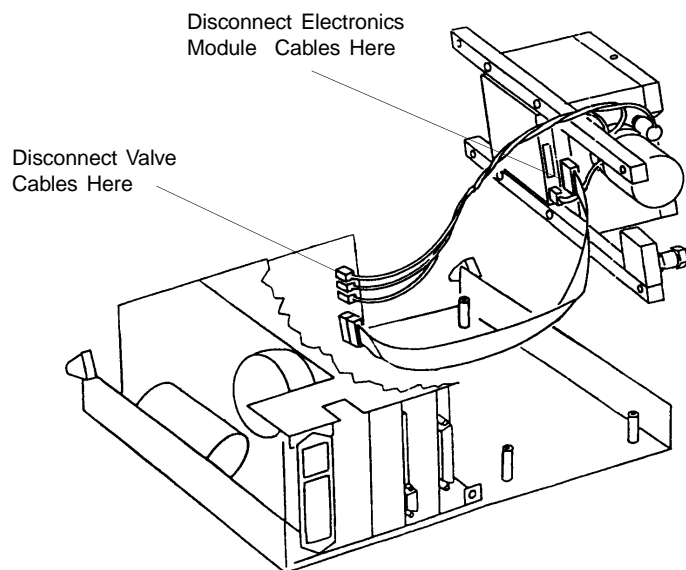


Figure A-6. Disconnecting Cable Assemblies

13. Remove the cable from the electronics module at the point it attaches to the printed circuit board underneath the module.
14. Attach the cable removed in step 13 to the new module's printed circuit board.
15. Attach cables from the Vent, Expand, and Fill valves to J6, J9, and J11 as shown below.

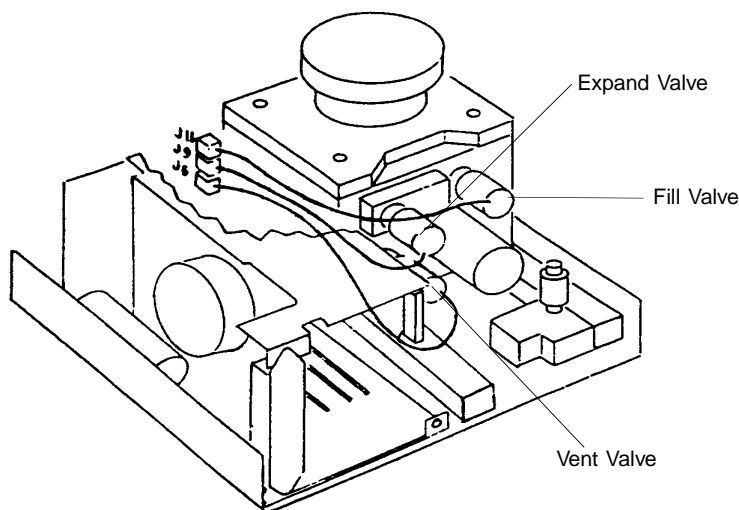


Figure A-7. Connecting Cable Assemblies

16. Place the new module into the pycnometer. Make sure the standoffs fit into the corresponding recesses in the rails. Note that the transducer should be on the rear face of the module.
17. Reassemble the pycnometer by reversing steps 1 through 10. Be sure to remove the cap before closing the cover and to reconnect all cables and the gas supply line. Check the gas connection for leaks.
18. Set the regulator pressure as described in **Setting Regulator Pressure** in Chapter 3.
19. Calibrate the pycnometer as described in **Calibrating the Pycnometer** in Chapter 4.

APPENDIX B

ANALYSIS THEORY

ANALYSIS THEORY

The AccuPyc 1330TC Pycnometer is a gas displacement pycnometer, a type of instrument which measures the volume of solid objects of irregular or regular shape whether powdered or in one piece. A greatly simplified diagram of the instrument is shown in Figure B-1.

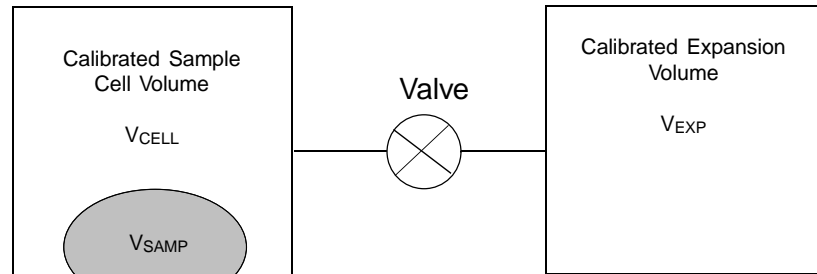


Figure B-1. Simplified Block Diagram

Assume that both V_{CELL} and V_{EXP} are at ambient pressure P_a , are at ambient temperature T_a , and that the valve is then closed. V_{CELL} is then charged to an elevated pressure P_1 . The mass balance equation across the sample cell, V_{CELL} , is

$$P_1 (V_{\text{CELL}} - V_{\text{SAMP}}) = n_c RT_a \quad (1)$$

where

n_c =the number of moles of gas in the sample cell,
 R =the gas constant, and
 T_a =the ambient temperature

The mass equation for the expansion volume is

$$P_a V_{\text{EXP}} = n_E RT_a \quad (2)$$

where

n_E = the number of moles of gas in the expansion volume.

When the valve is opened, the pressure will fall to an intermediate value, P_2 , and the mass balance equation becomes

$$P_2 (V_{\text{CELL}} - V_{\text{SAMP}} + V_{\text{EXP}}) = n_c RT_a + n_E RT_a \quad (3)$$

Substituting from equations (1) and (2) into (3):

$$P_2 (V_{\text{CELL}} - V_{\text{SAMP}} + V_{\text{EXP}}) = P_1 (V_{\text{CELL}} - V_{\text{SAMP}}) + P_a V_{\text{EXP}} \quad (4)$$

or

$$(P_2 - P_1) (V_{\text{CELL}} - V_{\text{SAMP}}) = (P_a - P_2) V_{\text{EXP}} \quad (5)$$

then

$$V_{\text{CELL}} - V_{\text{SAMP}} = \frac{P_a - P_2}{P_2 - P_1} V_{\text{EXP}} \quad (6)$$

Adding and subtracting P_a in the denominator and rearranging gives

$$-V_{\text{SAMP}} = -V_{\text{CELL}} + \frac{(P_a - P_2) V_{\text{EXP}}}{(P_2 - P_a) - (P_1 - P_a)} \quad (7)$$

Dividing by $(P_a - P_2)$ in both the numerator and denominator

$$V_{\text{SAMP}} = V_{\text{CELL}} - \frac{V_{\text{EXP}}}{-1 - \frac{P_1 - P_a}{P_a - P_2}} \quad (8)$$

or

$$V_{\text{SAMP}} = V_{\text{CELL}} - \frac{V_{\text{EXP}}}{\frac{P_1 - P_a}{P_2 - P_a} - 1} \quad (9)$$

Since P_1 , P_2 , and P_a are expressed in equations (1) through (9) as absolute pressures and equation (9) is arranged so that P_a is subtracted from both P_1 and P_2 before use, new P_{1g} and P_{2g} may be redefined as gauge pressures

$$P_{1g} = P_1 - P_a \quad (10)$$

$$P_{2g} = P_2 - P_a \quad (11)$$

and equation (9) rewritten as

$$V_{\text{SAMP}} = V_{\text{CELL}} - \frac{V_{\text{EXP}}}{\frac{P_{1g}}{P_{2g}} - 1} \quad (12)$$

Equation (12) then becomes the working equation for the pycnometer. Calibration procedures are provided to determine V_{CELL} and V_{EXP} and the pressures are measured by a gauge pressure transducer. Provisions are made for conveniently charging and discharging gases at controlled rates, for optimizing the relative sizes of the sample chambers and expansion volumes, and for cleansing the samples of vapors which would render equations (1), (2), and (3) inadequate to describe behavior.

APPENDIX C

CALIBRATION THEORY

CALIBRATION THEORY

Prior to running samples on the AccuPyc 1330TC Pycnometer, the volume of the sample cell and the expansion volume must be known. The derivation that follows permits these internal volumes to be measured with respect to a removable, accurately known standard volume. A simplified diagram of the instrument is shown in Figure C-1.

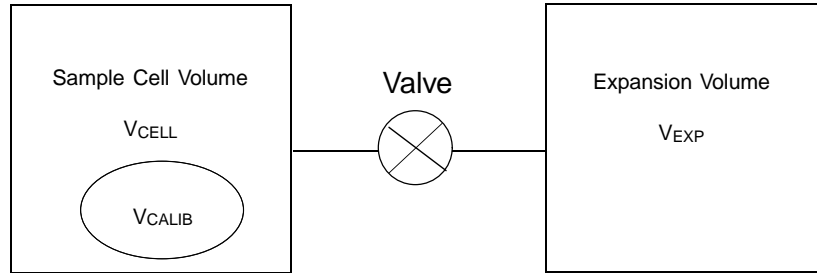


Figure C-1. Simplified Diagram for Calibration

Assume that, V_{CALIB} is removed, V_{CELL} is charged to an elevated gauge pressure P_1 and V_{EXP} is at zero gauge (ambient) pressure but sealed and that the valve is closed. Upon opening the valve, the condition established is

$$P_1 V_{CELL} = P_2 (V_{CELL} + V_{EXP}) \quad (1)$$

where P_2 is the resulting intermediate pressure. The use of gauge pressures is permissible because it is equivalent to having subtracted a constant from both sides of the equation.

Placement of V_{CALIB} into V_{CELL} and repetition of the charging and expansion yields

$$P_1^* (V_{CELL} - V_{CALIB}) = P_2^* (V_{CELL} - V_{CALIB} + V_{EXP}) \quad (2)$$

Where P_1^* and P_2^* are the before and after expansion pressures with V_{CALIB} in place.

V_{CALIB} , P_1 , P_2 , P_1^* , and P_2^* are assumed to be known or measurable. V_{CELL} and V_{EXP} are to be found. Solving equation (1) for V_{EXP} yields

$$V_{\text{EXP}} = V_{\text{CELL}} \frac{P_1 - P_2}{P_2} \quad . \quad (3)$$

Substitution of equation (3) into equation (2) yields

$$P_1 * (V_{\text{CELL}} - V_{\text{CALIB}}) = P_2 * (V_{\text{CELL}} - V_{\text{CALIB}}) + P_2 * [V_{\text{CELL}}] \frac{P_1 - P_2}{P_2} \quad . \quad (4)$$

Gathering terms and solving for V_{CELL} further yields

$$V_{\text{CELL}} = \frac{V_{\text{CALIB}} (P_1^* - P_2^*)}{\left[(P_1^* - P_2^*) - \frac{P_2^*}{P_2} (P_1 - P_2) \right]} \quad . \quad (5)$$

Substitution of experimental and known values into equation (5) yields V_{CELL} which when used in equation (3) yields V_{EXP} , the desired result.

APPENDIX D

FORMAT OF TRANSMITTED DATA

FORMAT OF TRANSMITTED DATA

Calibration and analysis data can be transmitted in one of two user-selectable formats: single column or spreadsheet. The data are in ASCII-delimited format. Spreadsheet format is suitable for direct import into many popular spreadsheets (using COTERM or similar serial communication software). The following tables define the formats. Each table is followed by an example of the data defined in the table.

In all tables, units are as follows:

- Date DD/MM/YY
- Time HH:MM:SS
- Pressure psig
- Temperature °C
- Elapsed Time seconds

Table D-1. Calibration Report Format - Single Column

| Record Number | Information Conveyed | Form |
|---------------|-------------------------------------|------------------|
| 1 | Version number | 20 characters |
| 2 | Serial number | 1 integer |
| 3 | Report type = calibration | 11 characters |
| 4 | Start | |
| 4a | Date | 8 characters |
| 4b | Time | 8 characters |
| 5 | Stop | |
| 5a | Date | 8 characters |
| 5b | Time | 8 characters |
| 6 | Temperature | 1 floating point |
| 7 | Calibration standard size | 1 floating point |
| 8 | Number of purges | 1 integer |
| 9 | Equilibration rate | 1 floating point |
| 10 | Average cell volume | 1 floating point |
| 11 | Cell volume standard deviation | 1 floating point |
| 12 | Average expansion volume | 1 floating point |
| 13 | Expansion volume standard deviation | 1 floating point |
| 14 | Number of runs | 1 integer |
| 15 | P1 (all P1 data) | 1 floating point |
| 16 | P2 (all P2 data) | 1 floating point |
| 17 | P1* (all P1* data) | 1 floating point |
| 18 | P2* (all P2* data) | 1 floating point |

| Record Number | Information Conveyed | Form |
|---------------|---|-----------|
| 19 | Included in average calculation (all included data) 0 = Excluded 1 = Included | 1 integer |

```

"AccuPyc 1330 VX.XX"
625
"Calibration"
"18/08/92", "07:59:43"
"18/08/92", "08:22:48"
25.799398
6.371870
3
0.005000
12.247808
0.000417
8.432275
0.000547
3
19.580629
19.564293
19.553852
11.296484
11.587052
11.580896
19.627428
19.618446
19.600245
8.060401
8.056624
8.049247
1
1
1

```

Figure D-1. Single Column Format

Table D-2. Calibration Report Format - Spreadsheet

| Record Number | Information Conveyed | Form |
|----------------------|--|------------------|
| 1 | Version number | 20 characters |
| 2 | Serial number | 1 integer |
| 3 | Report type = calibration | 11 characters |
| 4 | Start (reported on one line as ASCII comma- delimited data) | |
| 4a | Date | 8 characters |
| 4b | Time | 8 characters |
| 5 | Stop (reported on one line as ASCII comma- delimited data) | |
| 5a | Date | 8 characters |
| 5b | Time | 8 characters |
| 6 | Temperature | 1 floating point |
| 7 | Calibration standard size | 1 floating point |
| 8 | Number of purges | 1 integer |
| 9 | Equilibration rate | 1 floating point |
| 10 | Average cell volume | 1 floating point |
| 11 | Cell volume standard deviation | 1 floating point |
| 12 | Average expansion volume | 1 floating point |
| 13 | Expansion volume standard deviation | 1 floating point |
| 14 | Number of runs | 1 integer |
| 15 | Carriage return/line feed | |
| 16 | Carriage return/line feed | |
| 17 | Carriage return/line feed | |
| 18 | Run number and pressure (reported on one line as ASCII comma-delimited data) | |
| 18a | Run number | 1 integer |
| 18b | P1 | 1 floating point |
| 18c | P2 | 1 floating point |
| 18d | P1* | 1 floating point |
| 18e | P2* | 1 floating point |
| 18f | Included in average calculation 0 = Excluded 1 = Included | 1 integer |
| 18g | Cell volume | 1 floating point |
| 18h | Cell volume deviation | 1 floating point |
| 18i | Expansion volume | 1 floating point |
| 18J | Expansion volume deviation | 1 floating point |

```
“AccuPyc 1330 VX.XX”
625
“Calibration”
“18/08/92”, “07:59:43”
“18/08/92”, “08:22:48”
25.799398
6.371870
3
0.005000
12.247808
0.000417
8.432273
0.000547
3

1,19.580629, 11.296484, 19.627428, 8.060401, 1, 12.248280,
0.000472, 8.432904, 0.000631
2, 19.564293, 11.587052, 19.618446, 8.056624,1, 12.247489,
-0.000319, 8.431926, -0.000347
3, 19.553852, 11.580896, 19.600245, 8.049247, 1, 12.247654,
-0.000154, 8.431990, -0.000283
```

Figure D-2. Spreadsheet Format for Calibration

Table D-3. Analysis Report Format - Single Column

| Record Number | Information Conveyed | Form |
|----------------------|---|--------------------|
| 1 | Version number | 20 characters |
| 2 | Serial number | 1 integer |
| 3 | Report type = analysis | 8 characters |
| 4 | Start | |
| 4a | Date | 8 characters |
| 4b | Time | 8 characters |
| 5 | Stop | |
| 5a | Date | 8 characters |
| 5b | Time | 8 characters |
| 6 | Temperature | 1 floating point |
| 7 | Sample ID | 20 characters |
| 8 | Sample Weight | 1 floating point |
| 9 | Number of purges | 1 integer |
| 10 | Equilibration rate | 1 floating point |
| 11 | Cell volume | 1 floating point |
| 12 | Expansion volume | 1 floating point |
| 13 | Average volume | 1 floating point |
| 14 | Volume standard deviation | 1 floating point |
| 15 | Average density | 1 floating point |
| 16 | Density standard deviation | 1 floating point |
| 17 | Number of runs | 1 integer |
| 18 | Run precision 0 = Disabled 1 = Enabled | 1 integer |
| 19 | Percent full scale | 1 floating point |
| 20 | P1 (all P1 data) | 1 floating point |
| 21 | P2 (all P2 data) | 1 floating point |
| 22 | Included in average calculation (all included data) 0 = Excluded 1 = Included | 1 integer |
| 23 | Elapsed time(all elapsed time data) | 1 unsigned integer |


```
"AccuPyc 1330 VX.XX"  
625  
"Analysis"  
"18/08/92", "07:12:41"  
"18/08/92", "07:20:19"  
25.7685642  
6-10-97—12-57  
40.5110  
3  
0.005000  
12.249167  
8.432934  
6.372971  
0.000332  
0.000000  
0.000000  
3  
0  
0.050000  
19.570705  
19.555931  
19.544651  
8.037209  
8.030797  
8.025983  
0  
0  
0  
145  
250  
352
```

Figure D-3. Single Column Format for Analysis

Table D-4. Analysis Report Format -Spreadsheet

| Record Number | Information Conveyed | Form |
|----------------------|--|------------------|
| 1 | Version number | 20 characters |
| 2 | Serial number | 1 integer |
| 3 | Report type = analysis | 8 characters |
| 4 | Start (reported on one line as ASCII comma- delimited data) | |
| 4a | Date | 8 characters |
| 4b | Time | 8 characters |
| 5 | Stop (reported on one line as ASCII comma- delimited data) | |
| 5a | Date | 8 characters |
| 5b | Time | 8 characters |
| 6 | Temperature | 1 floating point |
| 7 | Sample ID | 20 characters |
| 8 | Sample Weight | 1 floating point |
| 9 | Number of purges | 1 integer |
| 10 | Equilibration rate | 1 floating point |
| 11 | Cell volume | 1 floating point |
| 12 | Expansion volume | 1 floating point |
| 13 | Average volume | 1 floating point |
| 14 | Volume standard deviation | 1 floating point |
| 15 | Average density | 1 floating point |
| 16 | Density standard deviation | 1 floating point |
| 17 | Number of runs | 1 integer |
| 18 | Run precision 0 = Disabled 1 = Enabled | 1 integer |
| 19 | Percent full scale | 1 floating point |
| 20 | Carriage return/line feed | |
| 21 | Carriage return/line feed | |
| 22 | Carriage return/line feed | |
| 23 | Run number and pressure (reported on one line as ASCII comma-delimited data) | |
| 23a | Run number | 1 integer |
| 23b | P1 | 1 floating point |
| 23c | P2 | 1 floating point |
| 23d | Included in average calculation 0 = Excluded 1 = Included | 1 integer |

| Record Number | Information Conveyed | Form |
|---------------|----------------------|--------------------|
| 23e | Elapsed time | 1 unsigned integer |
| 23f | Volume | 1 floating point |
| 23g | Volume deviation | 1 floating point |
| 23h | Density | 1 floating point |
| 23i | Density deviation | 1 floating point |

| |
|---|
| <p> "AccuPyc 1330 VX.XX" 625 "Analysis" "18/08/92", "07:12:41" "18/08/92", "07:20:19" 25.685642 6-10-97—12-57 40.5110 3 0.000000 0.005000 12.249167 8.432934 6.372971 0.000332 0.000000 0.000000 3 0 0.050000 </p> <p> 1, 19.570705, 8.037209, 0, 145, 6.372611, -0.000360, 0.000000, 0.000000 2, 19.555931, 8.030797, 0, 250, 6.373038, 0.000067, 0.000000, 0.000000 3, 19.544651, 8.025983, 0, 352, 6.373264, 0.000293, 0.000000, 0.000000 </p> |
|---|

Figure D-4. Spreadsheet Format for Analysis

APPENDIX E

PRINTER CHARACTER SET

PRINTER CHARACTER SET

The following list contains the characters that the AccuPyc 1330TC may send to the printer. Check your printer manual to ensure that your printer supports these characters.

| Decimal Value | Character | Decimal Value | Character |
|---------------|-----------|---------------|-----------|
| 33 | ! | 59 | ; |
| 34 | “ | 60 | < |
| 35 | # | 61 | = |
| 36 | \$ | 62 | > |
| 37 | % | 63 | ? |
| 38 | & | 64 | @ |
| 39 | ' | 65 | A |
| 40 | (| 66 | B |
| 41 |) | 67 | C |
| 42 | * | 68 | D |
| 43 | + | 69 | E |
| 44 | , | 70 | F |
| 45 | - | 71 | G |
| 46 | . | 72 | H |
| 47 | / | 73 | I |
| 48 | 0 | 74 | J |
| 49 | 1 | 75 | K |
| 50 | 2 | 76 | L |
| 51 | 3 | 77 | M |
| 52 | 4 | 78 | N |
| 53 | 5 | 79 | O |
| 54 | 6 | 80 | P |
| 55 | 7 | 81 | Q |
| 56 | 8 | 82 | R |
| 57 | 9 | 83 | S |
| 58 | : | 84 | T |

| Decimal Value | Character | Decimal Value | Character |
|---------------|-----------|---------------|-----------|
| 85 | U | 108 | l |
| 86 | V | 109 | m |
| 87 | W | 110 | n |
| 88 | X | 111 | o |
| 89 | Y | 112 | p |
| 90 | Z | 113 | q |
| 91 | [| 114 | r |
| 92 | \ | 115 | s |
| 93 |] | 116 | t |
| 94 | ^ | 117 | u |
| 95 | - | 118 | v |
| 96 | ' | 119 | w |
| 97 | a | 120 | x |
| 98 | b | 121 | y |
| 99 | c | 122 | z |
| 100 | d | 123 | { |
| 101 | e | 124 | |
| 102 | f | 125 | } |
| 103 | g | 126 | ~ |
| 104 | h | 129 | ü |
| 105 | i | 132 | ä |
| 106 | j | 164 | ñ |
| 107 | k | 225 | ß |

INDEX

INDEX

A

- Alternate function keys, 1-4
- Analysis
 - defined, 1-3
 - module, changing, A-1
 - parameters, editing, 4-19
 - performing, 3-1, 4-6
 - report, 4-12
 - with run precision report, 4-13
- Analysis display mode
 - selecting, 4-22
 - system default, 2-8
- Analysis parameters, report parameters, 2-8
- Asterisk
 - in message queue, 2-7, 2-9, 5-5
 - in reports, 4-13

B

- Bath circulator, installing, 2-5
- Battery backup, 5-21
- Baud rate, editing the parameters, 4-26

C

- Calibration, 4-15
 - defined, 1-3
 - parameters, editing, 4-9, 4-15, 4-19
 - report, 4-11
 - results, editing, 4-9
 - standard, selecting, 4-15
 - theory, C-1
- Canceling an operation, 4-4
- Cautions, 1-1
- CE mark, requirement for cords, 2-3
- Chamber cap O-ring
 - greasing, 2-10, 5-14
 - replacing, 5-15
- Changing the analysis module, A-1
- Checking for leaks, 5-16
- Circulator
 - See* Bath circulator
- Cleaning the pycnometer, 5-21
- Commands, entering, 4-5
- Cylinder shut-off valve, 2-4

D

- Damaged or lost equipment, 2-1
- Data bits, editing the parameters, 4-26
- Data transmission parameters, editing, 4-26
- Date, setting, 4-27
- Default values, 2-8
- Density, sample weight required for, 4-6
- Dewpoint, specification for gases, 1-7

E

- Editing
 - analysis and calibration parameters, 4-19
 - calibration results and parameters, 4-9
 - data transmission parameters, 4-26
 - setup parameters, 4-18
- Entering commands, 4-5
- Equilibration rate
 - editing parameters, 4-18, 4-20
 - system default, 2-8
- Equipment
 - damage or loss, 2-1
 - description, 1-2
 - inspecting, 2-1
 - return, 2-2
 - setup, 2-3
- Error messages, 5-5
 - in the queue, deleting, 2-9, 4-3
 - priority, 4-3

F

- Filter and O-ring, location, 5-20
- Filter, gas inlet, replacing, 5-18
- Function key
 - See* Alternate function key

G

- Gas inlet entrance, 5-20
- Gas inlet filter, replacing, 5-18
- Gas requirements, 2-3
- Gas supply connections, 2-4
- Gases, recommended, 1-7
- Greasing disk, 2-10, 5-14
- Greasing the chamber cap O-ring, 2-10, 5-14

I

- Inlet connector, 2-4
- Inspecting the equipment, 2-1, 2-2
- Installing
 - gas cylinder, 2-4
 - power cord, 2-3
 - software card, 2-6

K

- Keypad
 - description, 1-4
 - key combinations, 1-6
 - standard keys, 1-5

L

- Language
 - list of operating languages, 1-2
 - selecting, 2-9, 4-27
- Leak checking, 5-16
- Lifting the instrument, 2-1
- Loading a sample, 3-2

M

- Maintenance, 5-1
- Manual, organization, 1-1
- Manually controlling the valves, 4-17
- Measurement method, 1-3
- Message queue, 4-3
- Messages
 - See* Error messages
- Minimum helium tank pressure, 2-3
- Monitoring the system, 4-1

N

- Notes, 1-1
- Number of purges
 - editing parameters, 4-19
 - system default, 2-8
- Number of runs
 - editing parameters, 4-19
 - system default, 2-8

O

- O-ring, 5-15
 - replacing, 5-15
- ON, turning the instrument, 2-7
- Ordering information, 6-1

P

- Parity, editing parameters, 4-26
- Parts, ordering, 6-1
- Percent full-scale
 - editing parameters, 4-21
 - system default, 2-8
- Performing an analysis, 4-6
- Power
 - cord, installing, 2-3
 - failure, recovering from, 5-21
 - switch, 2-6
- Precision specifications, 1-7
- Preparing samples, 3-2
- Pressure
 - control knob, 2-4
 - units, editing parameters, 4-27
- Printer, installing, 2-6
- Printing
 - analysis results, 3-5
 - reports, 4-10
- Purge defined, 1-3
- Purge fill pressure
 - editing parameters, 4-19
 - system default, 2-8
- Pycnometer
 - cleaning, 5-21
 - turning on, 2-7

R

- Rear panel connections, 2-4
- Reducer fitting, 2-4
- Regulator
 - pressure setting, 3-1
 - shut-off valve, 2-4
- Reload, 2-7
- Replacing the chamber cap O-ring, 5-15
- Report destination
 - selecting, 4-22
 - system default, 2-8
- Report messages, priority, 4-3
- Reports
 - analysis, 4-12
 - analysis with run precision, 4-13
 - calibration, 4-11

- printing, 4-10
- transmitting, 4-14
- Results
 - printing, 3-5
 - viewing, 3-5
- Return Materials Authorization (RMA), 2-2
- Reviewing and editing data, 4-7
- RS-232 port, location, 2-5
- Run fill pressure
 - editing parameters, 4-19
 - system default, 2-8
- Run precision, 1-2
 - editing parameters, 4-20
 - system default, 2-8

S

- Sample
 - cup, specifications, 1-7
 - preparing, 3-2
 - weight, 3-2, 4-6
- Sample ID, 4-6
- Schematic diagram, 1-3
- Selecting
 - instrument location, 2-3
 - operating language, 2-9, 4-27
 - units of measurement, 2-9
- Serial Port (RS-232), 2-5
- Setup parameters, editing, 4-18
- Shut-off valve, 2-4, A-1
- Single-column report format, 4-14
- Software card, installing, 2-6
- Specifications, 1-7
- Spreadsheet report format, 4-14
- Starting a calibration, 4-15
- Starting an analysis
 - using default parameters, 3-4
 - using defaults, 3-4
 - using modified parameters, 3-4
- Status messages, 4-1, 5-5
- Stop bits, editing parameters, 4-26

T

- Temperature
 - displaying, 2-7
 - offset, editing parameters, 4-24
 - offset, recalculating, 4-24
 - specifications, 1-7
 - stability, 2-7
- Template, selecting a language, 2-9
- Time, setting, 4-28

- Transducer
 - offset, 4-16
 - zero reset, 1-3
- Transmission format
 - selecting, 4-22
 - system default, 2-8
- Transmitting reports, 4-14
- Troubleshooting, 5-1
- Turning off the gas supply, A-1

U

- Units of measurement, selecting, 2-9
- Unpacking the instrument, 2-1

V

- Valves, manually controlling, 4-17
- Vent valve, A-1
- Verifying operation, 2-11
- Viewing analysis results, 3-5

W

- Warm-up period, 2-7
- Warnings, 1-1
- Weighing the sample, 3-2

X

- Xon/Xoff, 4-26

Z

- Zero
 - function, 1-3
 - pressure offset, 1-3
- Zeroing the pressure transducer, 4-16