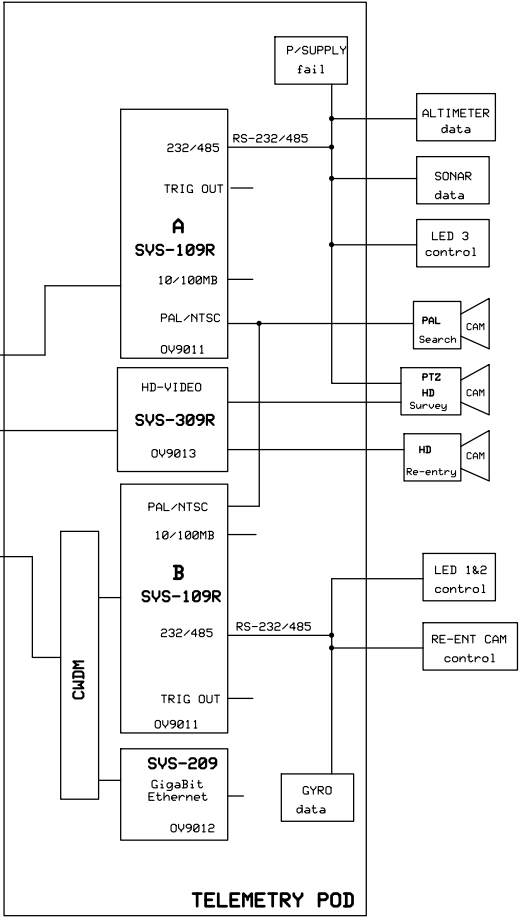
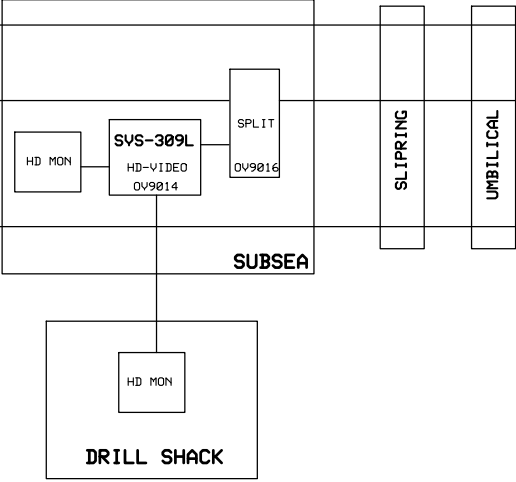
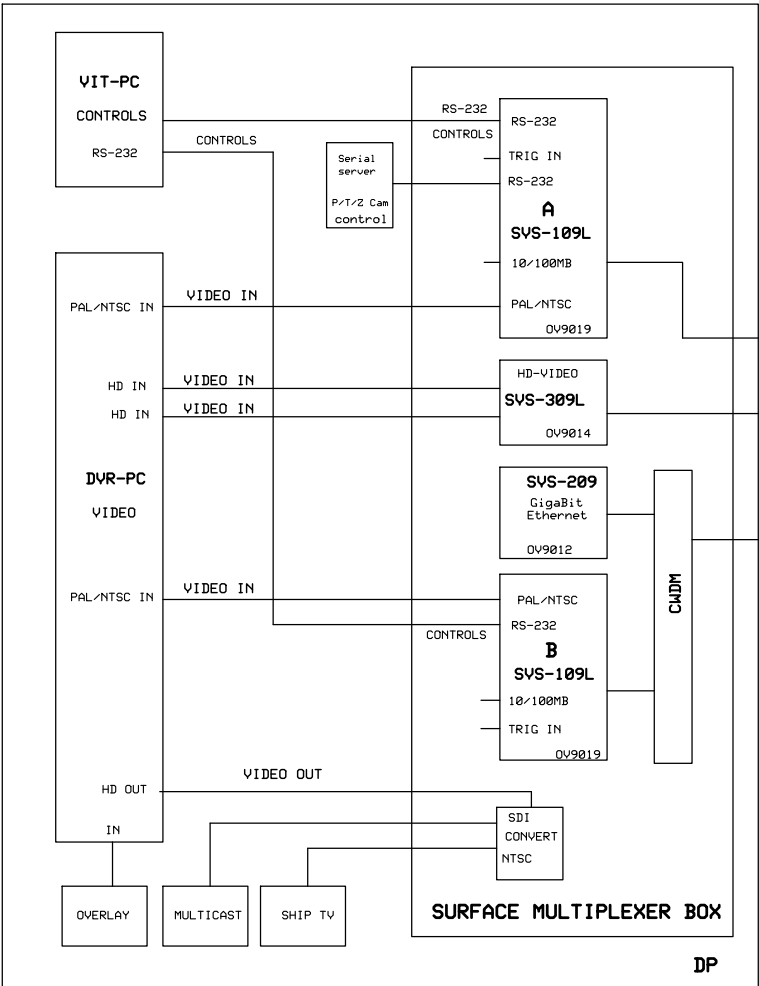


AS BUILT



IODP		
VIT BLOCK DIAGRAM		
Meiring	032020	Page 1